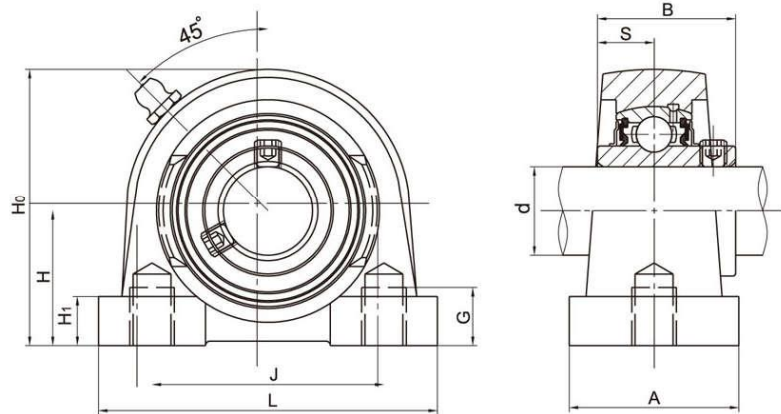


LDK[®] All Stainless Steel Bearing Units

SSUCPA All stainless steel pillow blocks tapped base, Setscrew locking



Unit No.	Shaft Dia		Dimensions(mm)									Bolt Size (mm)	Weight (kg)
	d		H	L	J	A	G	H1	H0	B	S		
	(in)	(mm)											
SSUCPA204 204-12	3/4	20	30.2	76	52	38	13	11	62	31.0	12.7	M10	0.62
SSUCPA205 205-14 205-15 205-16	7/8 15/16 1	25	36.5	84	56	38	15	12	72	34.1	14.3	M10	0.78
SSUCPA206 206-17 206-18 206-19 206-20	1-1/16 1-1/8 1-3/16 1-1/4	30	42.9	94	66	48	18	12	84	38.1	15.9	M14	1.24
SSUCPA207 207-20 207-21 207-22 207-23	1-1/4 1-5/16 1-3/8 1-7/16	35	47.6	110	80	48	20	13	95	42.9	17.5	M14	1.70
SSUCPA208 208-24 208-25	1-1/2 1-9/16	40	49.2	116	84	54	20	13	100	49.2	19.0	M14	1.90
SSUCPA209 209-26 209-27 209-28	1-5/8 1-11/16 1-3/4	45	54.2	120	90	54	25	13	108	49.2	19.0	M14	2.20
SSUCPA210 210-30 210-31 210-32	1-7/8 1-15/16 2	50	57.2	130	94	60	25	14	116	51.6	19.0	M16	2.60

Notes: 1. Upon request, available with plastic close cap(CC) or open cap(OC) at one end. Ordering example SSUCPA204-12 CC.
2. Lubricated with food grade grease.