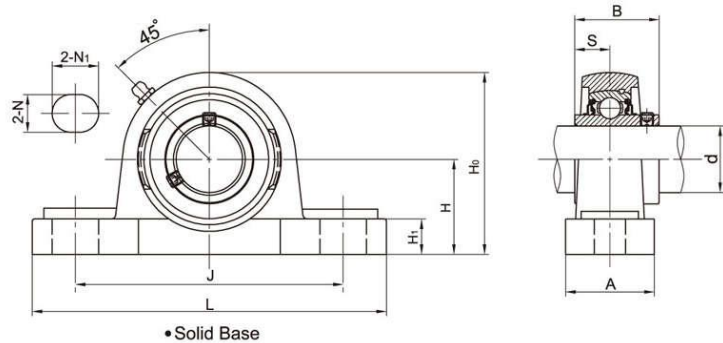


# All Stainless Steel Bearing Units **LDK**<sup>®</sup>

**SSUCP..ESB All stainless steel pillow blocks, Solid base housing, Setscrew locking**



Unit No.	Shaft Dia		Dimensions(mm)										Bolt Size (mm)	Weight (kg)
	d (in)	d (mm)	H	L	J	A	N	N <sub>1</sub>	H <sub>1</sub>	H <sub>0</sub>	B	S		
SSUCP204ESB 204-12ESB	3/4	20	33.3	127	95	38	13	19	15	64	31	12.7	M10	0.79
SSUCP205ESB 205-14ESB 205-15ESB 205-16ESB	7/8 15/16 1	25	36.5	140	105	38	13	19	16.5	70	34.1	14.3	M10	0.95
SSUCP206ESB 206-17ESB 206-18ESB 206-19ESB 206-20ESB	1-1/16 1-1/8 1-3/16 1-1/4	30	42.9	165	121	48	17	21	18	82	38.1	15.9	M12	1.49
SSUCP207ESB 207-20ESB 207-21ESB 207-22ESB 207-23ESB	1-1/4 1-5/16 1-3/8 1-7/16	35	47.6	167	127	48	17	21	19	92	42.9	17.5	M12	1.93
SSUCP208ESB 208-24ESB 208-25ESB	1-1/2 1-9/16	40	49.2	184	137	54	17	22	19	99	49.2	19	M12	2.26
SSUCP209ESB 209-26ESB 209-27ESB 209-28ESB	1-5/8 1-11/16 1-3/4	45	54	190	146	54	17	22	20	108	49.2	19	M12	2.76
SSUCP210ESB 210-30ESB 210-31ESB 210-32ESB	1-7/8 1-15/16 2	50	57.2	206	159	60	20	25	22	112	51.6	19	M16	3.31
SSUCP211ESB 211-32ESB 211-34ESB 211-35ESB	2 2-1/8 2-3/16	55	63.5	219	171	60	20	25	23	124	55.6	22.2	M16	3.98
SSUCP212ESB 212-36ESB 212-38ESB 212-39ESB	2-1/4 2-3/8 2-7/16	60	69.9	238	184	70	20	25	25	137	65.1	25.4	M16	5.42

Notes: 1. Grease fittings also available at 90° positions.

2. Upon request, available with plastic close cap(CC) or open cap(OC) at one end or both ends.

Ordering example: SSUCP204-12ESB CC.

3. Lubricated with food grade grease.