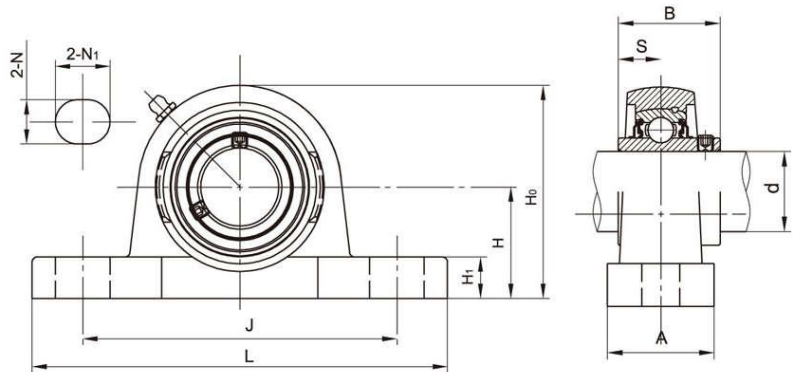


LDK[®] All Stainless Steel Bearing Units

SSUCP..A All stainless steel pillow blocks and inch-based housing, Setscrew locking



• Solid Base

Unit No.	Shaft Dia		Dimensions(mm)										Bolt Size (mm)	Weight (kg)
	d		H	L	J	A	N	N ₁	H ₁	H ₀	B	S		
Solid base housing	(in)	(mm)												
SSUCP204A 204-12A	3/4	20	33.3	127	95	30	13	19	14	64	31	12.7	M10	0.71
SSUCP205A 205-14A 205-15A 205-16A	7/8 15/16 1	25	36.5	140	105	30	13	19	15	70	34.1	14.3	M10	0.82
SSUCP206A 206-17A 206-18A 206-19A 206-20A	1-1/16 1-1/8 1-3/16 1-1/4	30	42.9	165	121	36	17	21	16	82	38.1	15.9	M12	1.31
SSUCP207A 207-20A 207-21A 207-22A 207-23A	1-1/4 1-5/16 1-3/8 1-7/16	35	47.6	167	127	38	17	21	17	92	42.9	17.5	M12	1.65
SSUCP208A 208-24A 208-25A	1-1/2 1-9/16	40	49.2	184	137	40	17	21	18	98	49.2	19	M12	2.00
SSUCP209A 209-26A 209-27A 209-28A	1-5/8 1-11/16 1-3/4	45	54	190	146	40	17	21	20	105	49.2	19	M12	2.26
SSUCP210A 210-30A 210-31A 210-32A	1-7/8 1-15/16 2	50	57.2	206	159	45	20	22	22	112	51.6	19	M16	2.80
SSUCP211A 211-32A 211-34A 211-35A	2 2-1/8 2-3/16	55	63.5	218	171	50	20	22	22	126	55.6	22.2	M16	3.83
SSUCP212A 212-36A 212-38A 212-39A	2-1/4 2-3/8 2-7/16	60	69.9	238	184	60	20	25	25	137	65.1	25.4	M16	5.33

Notes: 1. Grease fittings also available at 90° positions.

2. Upon request, available with plastic close cap(CC) or open cap(OC) at one end or both ends.

Ordering example: SSUCP204-12A CC.

3. Hand polishing surface housing available upon request. Ordering example: SSUCP204-12A HP.

4. Lubricated with food grade grease.