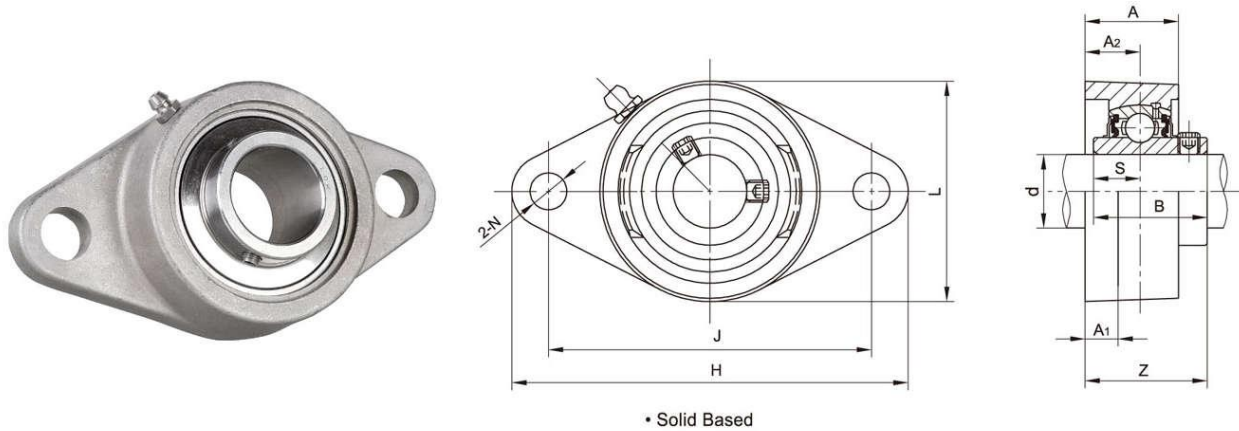


# LDK<sup>®</sup> All Stainless Steel Bearing Units

SSUCFL..A All stainless steel flange units 2-bolt and inch-based housing, Setscrew locking



Unit No.	Shaft Dia		Dimensions(mm)										Bolt Size (mm)	Weight (kg)
	d		H	J	A <sub>2</sub>	A <sub>1</sub>	A	N	L	Z	B	S		
	(in)	(mm)												
SSUCFL204A 204-12A	3/4	20	113	90	15	11	27	12	60	33.3	31	12.7	M10	0.50
SSUCFL205A 205-14A 205-15A 205-16A	7/8 15/16 1	25	130	99	16	13	28	12.5	68	35.8	34.1	14.3	M14	0.71
SSUCFL206A 206-17A 206-18A 206-19A 206-20A	1-1/16 1-1/8 1-3/16 1-1/4	30	148	117	18	13	31	12.5	79	40.2	38.1	15.9	M14	1.04
SSUCFL207A 207-20A 207-21A 207-22A 207-23A	1-1/4 1-5/16 1-3/8 1-7/16	35	161	130	19	14	34	14	90	44.4	42.9	17.5	M14	1.38
SSUCFL208A 208-24A 208-25A	1-1/2 1-9/16	40	175	144	21	15	36	14	100	51.2	49.2	19	M14	1.73
SSUCFL209A 209-26A 209-27A 209-28A	1-5/8 1-11/16 1-3/4	45	187	148	22	16	38	16	108	52.2	49.2	19	M16	2.07
SSUCFL210A 210-30A 210-31A 210-32A	1-7/8 1-15/16 2	50	195	157	22	16	40	16	115	54.6	51.6	19	M16	2.47

- Notes: 1. Upon request, available with plastic close cap(CC) or open cap(OC) at one end. Ordering example SSUCFL204-12A CC.  
 2. Back seal is available when mounted with narrow inner ring SSB/SSA inserts.  
 3. Hand polishing surface housing available upon request. Ordering example SSUCFL204-12A HP  
 4. Lubricated with food grade grease.