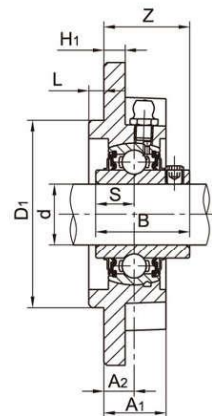
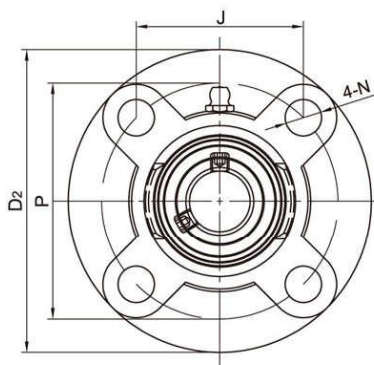


LDK[®] All Stainless Steel Bearing Units

SSUCFC All stainless steel flange cartridge units, Setscrew locking



Unit No.	Shaft Dia		Dimensions(mm)												Bolt Size (mm)	Weight (kg)
	d		D ₂	P	J	A ₂	N	L	H ₁	A ₁	D ₁	B	S	Z		
	(in)	(mm)														
SSUCFC204 204-12	3/4	20	100	78	55.1	10	12	5	7	20.5	62	31	12.7	28.3	M10	0.77
SSUCFC205 205-14 205-15 205-16	7/8 15/16 1	25	115	90	63.6	10	12	6	7	21	70	34.1	14.3	29.7	M10	1.13
SSUCFC206 206-17 206-18 206-19 206-20	1-1/16 1-1/8 1-3/16 1-1/4	30	125	100	70.7	10	12	8	8	23	80	38.1	15.9	32.2	M10	1.47
SSUCFC207 207-20 207-21 207-22 207-23	1-1/4 1-5/16 1-3/8 1-7/16	35	135	110	77.8	11	14	8	9	26	90	42.9	17.5	36.4	M12	1.86
SSUCFC208 208-24 208-25	1-1/2 1-9/16	40	145	120	84.8	11	14	10	9	26	100	49.2	19	41.2	M12	2.17
SSUCFC209 209-26 209-27 209-28	1-5/8 1-11/16 1-3/4	45	160	132	93.3	10	16	12	10	26	105	49.2	19	40.2	M14	2.50
SSUCFC210 210-30 210-31 210-32	1-7/8 1-15/16 2	50	165	138	97.6	10	16	12	14	28	110	51.6	19	42.6	M14	2.95
SSUCFC211 211-32 211-34 211-35	2 2-1/8 2-3/16	55	185	150	106.1	13	19	12	13	30	125	55.6	22.2	46.4	M16	4.00
SSUCFC212 212-36 212-38 212-39	2-1/4 2-3/8 2-7/16	60	195	160	113.1	17	19	12	15	35	135	65.1	25.4	56.7	M16	4.90

Notes: 1. Upon request, available with plastic close cap(CC) or open cap(OC) at one end. Ordering example SSUCFC204-12 CC.

2. Lubricated with food grade grease.