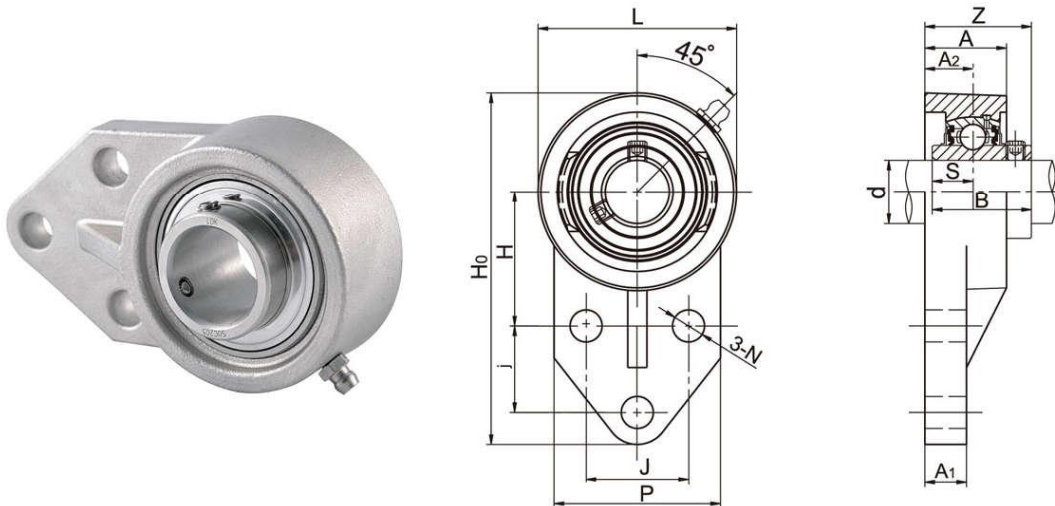


All Stainless Steel Bearing Units **LDK**[®]

SSUCFB..A All stainless steel flange bracket units and inch-based housing, Setscrew locking



Unit No.	Shaft Dia		Dimensions(mm)													Bolt Size (mm)	Weight (kg)
	d		H ₀	H	J	j	A ₂	A ₁	A	N	L	P	B	S	Z		
	(in)	(mm)															
SSUCFB204A		20															
204-12A	3/4		108	42.9	38.1	22.2	15.9	9.5	25.4	10	63.5	60.3	31	12.7	34.2	M8	0.58
SSUCFB205A		25															
205-14A	7/8		120.7	46	41.6	28.6	16.7	11.1	29.4	10	69.1	63.5	34.1	14.3	36.4	M8	0.73
205-15A	15/16																
205-16A	1																
SSUCFB206A		30															
206-17A	1-1/16																
206-18A	1-1/8		136.5	52.4	47.6	31.8	18.7	11.1	33.3	10	82.6	70	38.1	15.9	40.8	M8	1.13
206-19A	1-3/16																
206-20A	1-1/4																
SSUCFB207A		35															
207-20A	1-1/4																
207-21A	1-5/16		155.6	60.3	50.8	31.8	21	14.3	37.3	13	94.5	82.6	42.9	17.5	46.4	M10	1.70
207-22A	1-3/8																
207-23A	1-7/16																

Notes: 1. Upon request, available with plastic close cap(CC) or open cap(OC) at one end. Ordering example SSUCFB204-12A CC.
2. Lubricated with food grade grease.