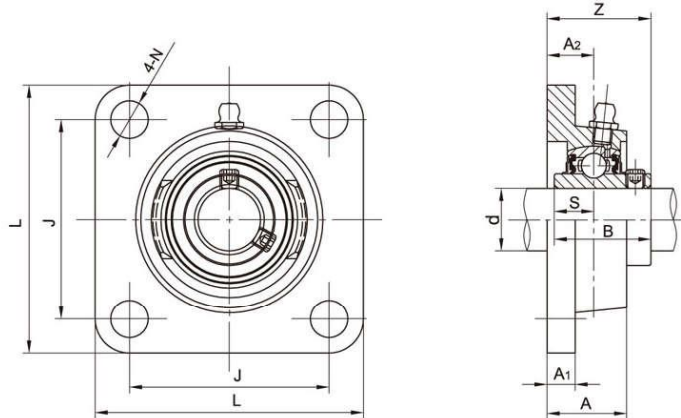


# All Stainless Steel Bearing Units **LDK**<sup>®</sup>

**SSUCF..A All stainless steel flange 4-bolt and inch-based housing, Setscrew locking**



• Solid Base

Unit No.	Shaft Dia		Dimensions(mm)									Bolt Size (mm)	Weight (kg)
	d (in)	d (mm)	L	J	A <sub>2</sub>	A <sub>1</sub>	A	N	Z	B	S		
SSUCF204A 204-12A	3/4	20	86	64	15	11	25.5	12	33.3	31	12.7	M10	0.71
SSUCF205A 205-14A 205-15A 205-16A	7/8 15/16 1	25	95	70	16	13	28	12	35.8	34.1	14.3	M10	0.97
SSUCF206A 206-17A 206-18A 206-19A 206-20A	1-1/16 1-1/8 1-3/16 1-1/4	30	108	83	18	13	31	12	40.2	38.1	15.9	M10	1.41
SSUCF207A 207-20A 207-21A 207-22A 207-23A	1-1/4 1-5/16 1-3/8 1-7/16	35	117	92	19	15	34	14	44.4	42.9	17.5	M12	1.86
SSUCF208A 208-24A 208-25A	1-1/2 1-9/16	40	130	102	21	15	36	16	51.2	49.2	19	M14	2.30
SSUCF209A 209-26A 209-27A 209-28A	1-5/8 1-11/16 1-3/4	45	137	105	22	16	38	16	52.2	49.2	19	M14	2.71
SSUCF210A 210-30A 210-31A 210-32A	1-7/8 1-15/16 2	50	143	111	22	16	40	16	54.6	51.6	19	M14	2.93
SSUCF211A 211-32A 211-34A 211-35A	2 2-1/8 2-3/16	55	162	130	25	18	43	19	58.4	55.6	22.2	M16	4.13
SSUCF212A 212-36A 212-38A 212-39A	2-1/4 2-3/8 2-7/16	60	175	143	29	18	48	19	68.7	65.1	25.4	M16	5.51

- Notes: 1. Upon request, available with plastic close cap(CC) or open cap(OC) at one end. Ordering example SSUCF204-12A CC.  
 2. Back seal is available when mounted with narrow inner ring SSB/SSA inserts.  
 3. Hand polishing surface housing available upon request. Ordering example SSUCF204-12A HP.  
 4. Lubricated with food grade grease.