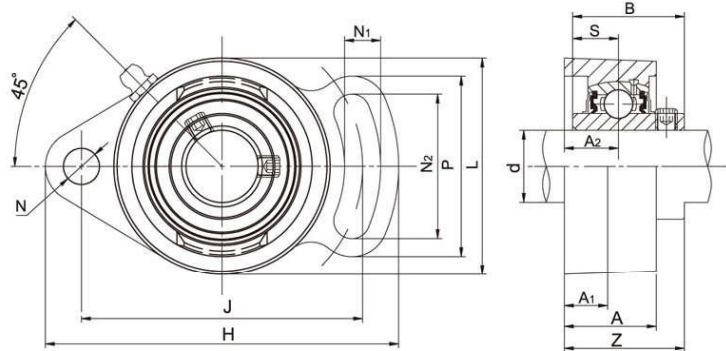


LDK[®] Adjustable Flange Units

UCFA Standard duty,Wider inner ring bearing,Setscrew locking



Unit No.	Shaft Dia		Dimensions(mm)													Bolt Size (mm)	Weight (kg)
	d		H	J	A ₂	A ₁	A	N	N ₁	N ₂	L	P	B	S	Z		
	(in)	(mm)															
UCFA201 201-8	1/2	12	98	78	15	12	25.5	10	10	40	60	50	31	12.7	33.3	M8	0.53
UCFA202 202-9 202-10	9/16 5/8	15	98	78	15	12	25.5	10	10	40	60	50	31	12.7	33.3	M8	0.49
UCFA203 203-11	11/16	17	98	78	15	12	25.5	10	10	40	60	50	31	12.7	33.3	M8	0.48
UCFA204 204-12	3/4	20	98	78	15	12	25.5	10	10	40	60	50	31	12.7	33.3	M8	0.46
UCFA205 205-14 205-15 205-16	7/8 15/16 1	25	125	98	16	14	27	12	13	51	70	65	34.1	14.3	35.8	M10	0.69
UCFA206 206-17 206-18 206-19 206-20	1-1/16 1-1/8 1-3/16 1-1/4	30	142	117	18	14	31	12	13	58	83	72	38.1	15.9	40.2	M10	1.00
UCFA207 207-20 207-21 207-22 207-23	1-1/4 1-5/16 1-3/8 1-7/16	35	154	130	19	16	34	15	15	66	95	82	42.9	17.5	44.4	M12	1.50
UCFA208 208-24 208-25	1-1/2 1-9/16	40	172	144	21	16	38	15	15	71	105	87	49.2	19.0	51.2	M12	1.80
UCFA209 209-26 209-27 209-28	1-5/8 1-11/16 1-3/4	45	180	148	22	18	40	15	15	72	110	90	49.2	19.0	52.2	M14	2.10
UCFA210 210-30 210-31 210-32	1-7/8 1-15/16 2	50	190	157	22	18	40	15	15	76	115	94	51.6	19.0	54.6	M14	2.30
UCFA211 211-32 211-34 211-35	2 2-1/8 2-3/16	55	216	184	25	20	43	16	17	86	132	104	55.6	22.2	58.4	M14	3.60