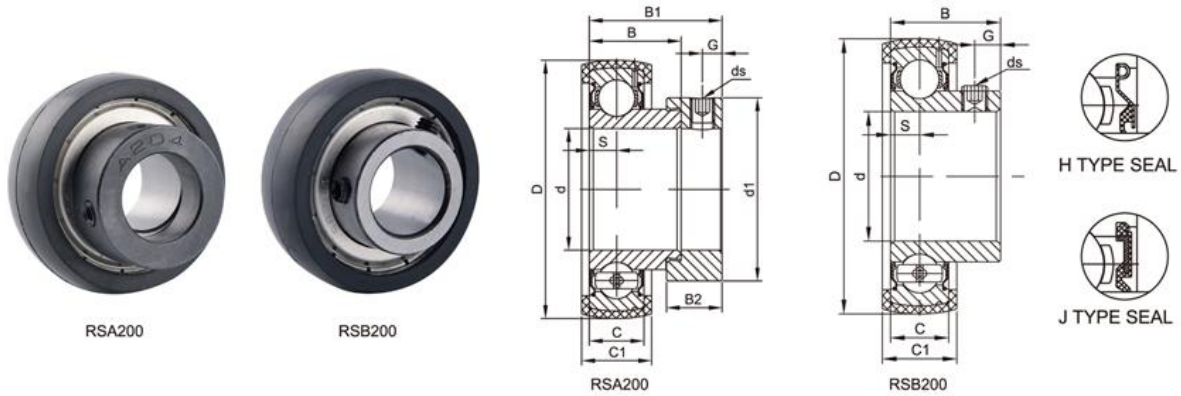


RSA200/RSB200 Rubber mounted cartridge units, Eccentric/Setscrew locking



RSA200 Series

Bearing No.	Shaft Dia		Dimensions(mm)										Weight (kg)	
	d		D	B	C	C ₁	S	B ₁	B ₂	d ₁	G	ds		
	(in)	(mm)										(mm)		(in.UNF)
RSA 201 201-8	1/2	12	47	19.1	12	15	6	28.6	13.5	28.6	5	M6x1	1/4-28	0.2
RSA 202 202-9 202-10	9/16 5/8	15	47	19.1	12	15	6	28.6	13.5	28.6	5	M6x1	1/4-28	0.2
RSA 203 203-11	11/16	17	47	19.1	12	15	6	28.6	13.5	28.6	5	M6x1	1/4-28	0.2
RSA 204 204-12	3/4	20	52	21.5	14	17	7	31	13.5	33.3	5	M6x1	1/4-28	0.21
RSA 205 205-14 205-15 205-16	7/8 15/16 1	25	62	22	15	18	7.5	31.5	13.5	38.1	5	M6x1	1/4-28	0.25
RSA 206 206-17 206-18 206-19 206-20	1-1/16 1-1/8 1-3/16 1-1/4	30	72	23.8	16	20	8	35.7	15.9	44.5	6	M6x1	1/4-28	0.39

RSB200 Series

Bearing No.	Shaft Dia		Dimensions(mm)						ds		Weight (kg)
	d		D	B	C	C ₁	S	G	(mm)	(in.UNF)	
	(in)	(mm)									
RSB 201 201-8	1/2	12	47	22	12	15	6.0	4.9	M5x0.8	10-32	0.09
RSB 202 202-9 202-10	9/16 5/8	15	47	22	12	15	6.0	4.9	M5x0.8	10-32	0.08
RSB 203 203-11	11/16	17	47	22	12	15	6.0	4.9	M5x0.8	10-32	0.07
RSB 204 204-12	3/4	20	52	25	14	17	7.0	5.0	M6x1	1/4-28	0.12
RSB 205 205-13 205-14 205-15 205-16	13/16 7/8 15/16 1	25	62	27	15	18	7.5	5.5	M6x1	1/4-28	0.18
RSB 206 206-17 206-18 206-19 206-20	1-1/16 1-1/8 1-3/16 1-1/4	30	72	30	16	20	8.0	5.9	M6x1	1/4-28	0.26

LDK[®] AC Units

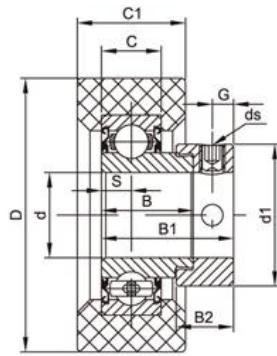
RCSA200/RCSB200 Rubber mounted cartridge units, Eccentric/Setscrew locking



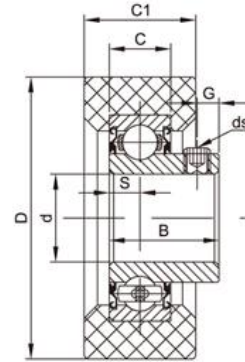
RCSA200



RCSB200



RCSA200



RCSB200



H TYPE SEAL



J TYPE SEAL

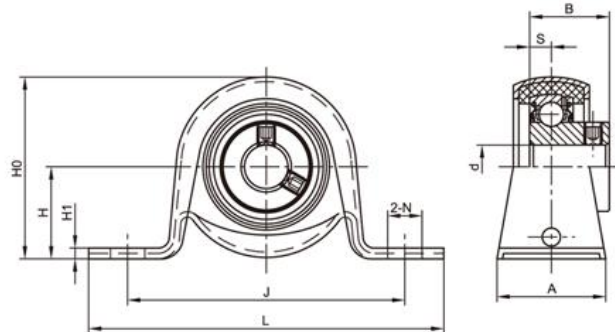
RCSA200 Series

Bearing No.	Shaft Dia		Dimensions(mm)										Weight (kg)	
	d		D	B	C	C ₁	S	B ₁	B ₂	d ₁	G	ds		
	(in)	(mm)										(mm)		(in.UNF)
RCSA201 201-8	1/2	12	64.3	19.1	12	25.4	6	28.6	13.5	28.6	5	M6x1	1/4-28	0.2
RCSA202 202-9 202-10	9/16 5/8	15	64.3	19.1	12	25.4	6	28.6	13.5	28.6	5	M6x1	1/4-28	0.2
RCSA203 203-11	11/16	17	64.3	19.1	12	25.4	6	28.6	13.5	28.6	5	M6x1	1/4-28	0.2
RCSA204 204-12	3/4	20	64.3	21.5	14	25.4	7	31	13.5	33.3	5	M6x1	1/4-28	0.21
RCSA205 205-14 205-15 205-16	7/8 15/16 1	25	64.3	22	15	25.4	7.5	31.5	13.5	38.1	5	M6x1	1/4-28	0.25
RCSA206 206-17 206-18 206-19 206-20	1-1/16 1-1/8 1-3/16 1-1/4	30	79	23.8	16	27	8	35.7	15.9	44.5	6	M6x1	1/4-28	0.39

RCSB200 Series

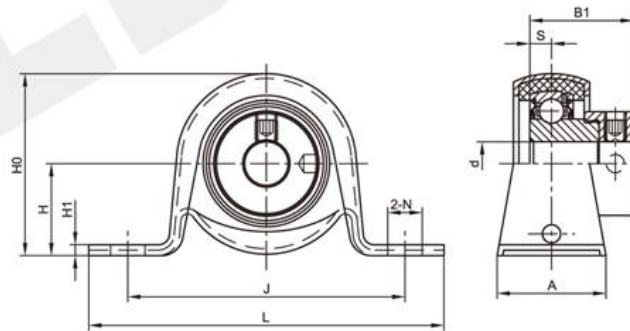
Bearing No.	Shaft Dia		Dimensions(mm)							ds		Weight (kg)
	d		D	B	C	C ₁	S	G	(mm)	(in.UNF)		
	(in)	(mm)										
RCSB 201 201-8	1/2	12	64.3	22	12	25.4	6.0	4.9	M5x0.8	10-32	0.09	
RCSB 202 202-9 202-10	9/16 5/8	15	64.3	22	12	25.4	6.0	4.9	M5x0.8	10-32	0.08	
RCSB 203 203-11	11/16	17	64.3	22	12	25.4	6.0	4.9	M5x0.8	10-32	0.07	
RCSB 204 204-12	3/4	20	64.3	25	14	25.4	7.0	5.0	M6x1	1/4-28	0.12	
RCSB 205 205-13 205-14 205-15 205-16	13/16 7/8 15/16 1	25	64.3	27	15	25.4	7.5	5.5	M6x1	1/4-28	0.18	
RCSB 206 206-17 206-18 206-19 206-20	1-1/16 1-1/8 1-3/16 1-1/4	30	79	30	16	27	8.0	5.9	M6x1	1/4-28	0.26	

RSAPP200/RSBPP200 Rubber cushioned pressed steel pillow blocks, Eccentric/Setscrew locking



RSBPP200 Series

Unit No.	Shaft Dia d		Dimensions(mm)									Bearing No.	Housing No.	Bolt Size (mm)	Weight (kg)
	(in)	(mm)	L	J	H	H ₁	H ₀	N	A	B	S				
RSBPP201 201-8	1/2	12	98	76	25.4	3	50.4	9.5	30	22	6	RSB201 RSB201-8	PP204	M8	0.19
RSBPP202 202-10	5/8	15	98	76	25.4	3	50.4	9.5	30	22	6	RSB202 RSB202-10	PP204	M8	0.18
RSBPP203 203-11	11/16	17	98	76	25.4	3	50.4	9.5	30	22	6	RSB203 RSB203-11	PP204	M8	0.17
RSBPP204 204-12	3/4	20	108	86	28.6	4	56.5	11.5	32	25	7	RSB204 RSB204-12	PP205	M10	0.25
RSBPP205 205-14 205-15 205-16	7/8 15/16 1	25	117	95	33.3	4	66.3	11.5	38	27	7.5	RSB205 RSB205-14 RSB205-15 RSB205-16	PP206	M10	0.35
RSBPP206 206-18 206-19 206-20	1-1/8 1-3/16 1-1/4	30	130	106	39.7	5	78.2	11.5	43	30	8	RSB206 RSB206-18 RSB206-19 RSB206-20	PP207	M10	0.46



RSAPP200 Series

Unit No.	Shaft Dia d		Dimensions(mm)									Bearing No.	Housing No.	Bolt Size (mm)	Weight (kg)
	(in)	(mm)	L	J	H	H ₁	H ₀	N	A	B ₁	S				
RSAPP201 201-8	1/2	12	98	76	25.4	3	50.4	9.5	30	28.6	6	RSA201 RSA201-8	PP204	M8	0.3
RSAPP202 202-10	5/8	15	98	76	25.4	3	50.4	9.5	30	28.6	6	RSA202 RSA202-10	PP204	M8	0.3
RSAPP203 203-11	11/16	17	98	76	25.4	3	50.4	9.5	30	28.6	6	RSA203 RSA203-11	PP204	M8	0.3
RSAPP204 204-12	3/4	20	108	86	28.6	4	56.5	11.5	32	31	7	RSA204 RSA204-12	PP205	M10	0.34
RSAPP205 205-14 205-15 205-16	7/8 15/16 1	25	117	95	33.3	4	66.3	11.5	38	31.5	7.5	RSA205 RSA205-14 RSA205-15 RSA205-16	PP206	M10	0.42
RSAPP206 206-18 206-19 206-20	1-1/8 1-3/16 1-1/4	30	130	106	39.7	5	78.2	11.5	43	35.7	8	RSA206 RSA206-18 RSA206-19 RSA206-20	PP207	M10	0.59