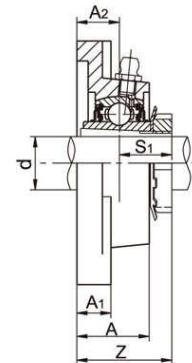
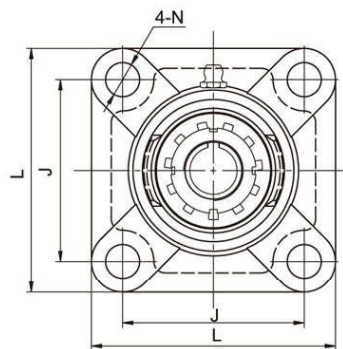


LDK[®] 4-Bolt Flange Units

UKF+H Standard duty, Tapered bore, Adapter sleeve locking



Unit No.	Shaft Dia		Dimensions (mm)								Bolt Size (mm)	Weight (kg)
	d		L	J	A2	A1	A	N	S1	Z		
	(in)	(mm)										
UKF205+H2305 205+HE2305	3/4	20	95	70	16	14	27	12	18.5	34.5	M10	0.84
UKF206+H2306 206+HS2306 206+HA2306 206+HE2306	7/8 15/16 1	25	108	83	18	14	31	12	20.5	38.5	M10	1.1
UKF207+H2307 207+HS2307 207+HA2307	1-1/8 1-3/16	30	117	92	19	16	34	14	22.5	41.5	M12	1.6
UKF208+H2308 208+HE2308 208+HS2308	1-1/4 1-3/8	35	130	102	21	16	36	16	24.5	45.5	M14	1.9
UKF209+H2309 209+HA2309 209+HE2309	1-7/16 1-1/2	40	137	105	22	18	38	16	26	48	M14	2.3
UKF210+H2310 210+HS2310 210+HA2310 210+HE2310	1-5/8 1-11/16 1-3/4	45	143	111	22	18	40	16	27.5	49.5	M14	2.6
UKF211+H2311 211+HS2311 211+HA2311 211+HE2311	1-7/8 1-15/16 2	50	162	130	25	20	43	19	28.5	53.5	M16	3.4
UKF212+H2312 212+HS2312	2-1/8	55	175	143	29	20	48	19	31	60	M16	4.1
UKF213+H2313 213+HA2313 213+HE2313 213+HS2313	2-3/16 2-1/4 2-3/8	60	187	149	30	22	50	19	32	62	M16	5.5
UKF215+H2315 215+HA2315 215+HE2315	2-7/16 2-1/2	65	200	159	34	22	56	19	35.5	69.5	M16	6.7
UKF216+H2316 216+HA2316 216+HE2316	2-11/16 2-3/4	70	208	165	34	22	58	23	39	73	M20	7.5
UKF217+H2317 217+HA2317 217+HE2317	2-15/16 3	75	220	175	36	24	63	23	40	76	M20	9.1
UKF218+H2318		80	235	187	40	25	68	23	42	82	M20	11.8

Notes: Bearing housing solid base optional, add suffix SB as designation.