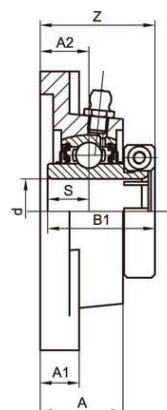
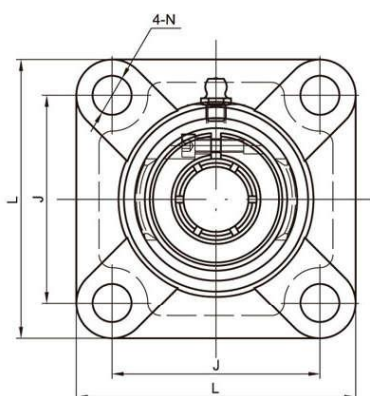


4-Bolt Flange Units **LDK**[®]

UEF Standard duty,Wider inner ring bearing, Concentric locking



Unit No.	Shaft Dia		Dimensions(mm)									Bolt Size (mm)	Weight (kg)
	d		L	J	A ₂	A ₁	A	N	B ₁	S	Z		
	(in)	(mm)											
UEF204 204-12	3/4	20	86	64	15	12	25.5	12	33	12.7	35.3	M10	0.63
UEF205 205-14 205-15 205-16	7/8 15/16 1	25	95	70	16	14	27	12	35.4	14.3	37.1	M10	0.83
UEF206 206-17 206-18 206-19 206-20	1-1/16 1-1/8 1-3/16 1-1/4	30	108	83	18	14	31	12	39.8	15.9	41.9	M10	1.18
UEF207 207-20 207-21 207-22 207-23	1-1/4 1-5/16 1-3/8 1-7/16	35	117	92	19	16	34	14	43.9	17.5	45.4	M12	1.52
UEF208 208-24 208-25	1-1/2 1-9/16	40	130	102	21	16	36	16	50.2	19	52.2	M14	1.94
UEF209 209-26 209-27 209-28	1-5/8 1-11/16 1-3/4	45	137	105	22	18	38	16	50.2	19	53.2	M14	2.41
UEF210 210-30 210-31 210-32	1-7/8 1-15/16 2	50	143	111	22	18	40	16	52.6	19	55.6	M14	2.66
UEF211 211-32 211-34 211-35	2 2-1/8 2-3/16	55	162	130	25	20	43	19	56.6	22.2	59.4	M16	3.73
UEF212 212-36 212-38 212-39	2-1/4 2-3/8 2-7/16	60	175	143	29	20	48	19	66.6	25.4	70.2	M16	4.69

Notes: Bearing housing solid base optional, add suffix SB as designation.