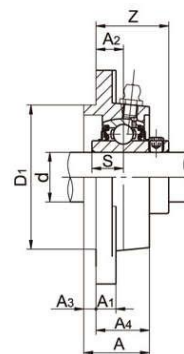
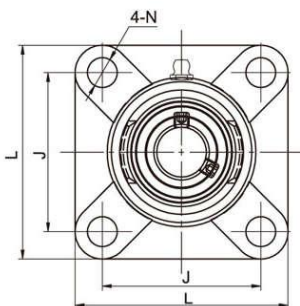


4-Bolt Flange Units **LDK**[®]

UCFS300 Heavy duty, Pilot on the back of housing, Wider inner ring bearing, Setscrew locking



Unit No.	Shaft Dia		Dimensions (mm)											Bolt Size (mm)	Weight (kg)
	d		L	J	A ₂	A ₁	A	H	H ₁	N	D ₁	S	Z		
	(in)	(mm)													
UCFS 305		25													
305-14	7/8		110	80	9	22	29	7	13	16	80	15	32	M14	1.3
305-15	15/16														
305-16	1														
UCFS 306		30													
306-18	1-1/8		125	95	10	24	32	8	15	16	90	17	36	M14	1.9
306-19	1-3/16														
UCFS 307		35													
307-20	1-1/4		135	100	11	27	36	9	16	19	100	19	40	M16	2.4
307-21	1-5/16														
307-22	1-3/8														
UCFS 308		40													
308-24	1-7/8		150	112	13	30	40	10	17	19	115	19	46	M16	3.3
308-25	1-15/16														
UCFS 309		45													
309-26	2		160	125	14	33	44	11	18	19	125	22	49	M16	4.0
309-27	2-1/8														
309-28	2-3/16														
UCFS 310		50													
310-30	1-7/8		175	132	16	36	48	12	19	23	140	22	55	M20	5.3
310-31	1-15/16														
UCFS 311		55													
311-32	2		185	140	17	39	52	13	20	23	150	25	58	M20	6.2
311-34	2-1/8														
311-36	2-3/16														
UCFS 312		60													
312-36	2-1/4		195	150	19	42	56	14	22	23	160	26	64	M20	7.2
312-38	2-3/8														
312-39	2-7/16														
UCFS 313		65													
313-40	2-1/2		208	166	15	40	58	18	22	23	175	30	60	M20	8.9
UCFS 314		70													
314-44	2-3/4		226	178	18	43	61	18	25	25	185	31	65	M22	11
UCFS 315		75													
315-48	3		236	184	21	48	66	18	25	25	200	32	71	M22	13
UCFS 316		80													
316-52		85													
UCFS 317		85													
317-52	3-1/4		260	204	24	54	74	20	27	31	220	40	80	M27	17
UCFS 318		90													
318-56	3-1/2		280	216	24	56	76	20	30	35	240	40	80	M30	21
UCFS 319		95													
319-60	3-3/4		290	228	39	74	94	20	30	35	250	41	101	M30	25
UCFS 320		100													
320-64	4		310	242	39	74	94	20	32	38	260	42	105	M33	30
UCFS 322		100	340	266	35	71	96	25	35	41	300	46	106	M36	39
UCFS 324		120	370	290	35	80	110	30	40	41	330	51	110	M36	54
UCFS 326		130	410	320	35	85	115	30	45	41	360	54	116	M36	71
UCFS 328		140	450	350	45	95	125	30	55	41	400	59	131	M36	100