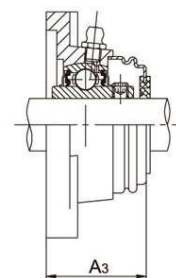
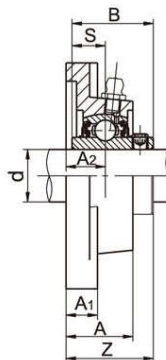
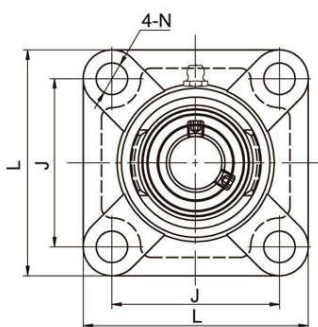


4-Bolt Flange Units **LDK**[®]

UCF Standard duty,Wider inner ring bearing,Setscrew locking



Unit No.	Shaft Dia		Dimensions(mm)										Bolt Size (mm)	Weight (kg)
	d		L	J	A ₂	A ₁	A	N	B	S	Z	A ₃		
	(in)	(mm)												
UCWF201 202 203		12 15 17	76	54	15	11	25.5	12	27.4	11.5	30.9		M10	0.72 0.62 0.61
UCF201 201-8	1/2	12	86	64	15	12	25.5	12	31	12.7	33.3		M10	0.61
UCF202 202-9 202-10	9/16 5/8	15	86	64	15	12	25.5	12	31	12.7	33.3		M10	0.61
UCF203 203-11	11/16	17	86	64	15	12	25.5	12	31	12.7	33.3		M10	0.61
UCF204 204-12	3/4	20	86	64	15	12	25.5	12	31	12.7	33.3	38.2	M10	0.61
UCF205 205-14 205-15 205-16	7/8 15/16 1	25	95	70	16	14	27	12	34.1	14.3	35.8	40	M10	0.80
UCF206 206-17 206-18 206-19 206-20	1-1/16 1-1/8 1-3/16 1-1/4	30	108	83	18	14	31	12	38.1	15.9	40.2	44	M10	1.00
UCF207 207-20 207-21 207-22 207-23	1-1/4 1-5/16 1-3/8 1-7/16	35	117	92	19	16	34	14	42.9	17.5	44.4	48.5	M12	1.40
UCF208 208-24 208-25	1-1/2 1-9/16	40	130	102	21	16	36	16	49.2	19	51.2	55.1	M14	1.80
UCF209 209-26 209-27 209-28	1-5/8 1-11/16 1-3/4	45	137	105	22	18	38	16	49.2	19	52.2	57	M14	2.20
UCF210 210-30 210-31 210-32	1-7/8 1-15/16 2	50	143	111	22	18	40	16	51.6	19	54.6	60	M14	2.40
UCF211 211-32 211-34 211-35	2 2-1/8 2-3/16	55	162	130	25	20	43	19	55.6	22.2	58.4	63	M16	3.50
UCF212 212-36 212-38 212-39	2-1/4 2-3/8 2-7/16	60	175	143	29	20	48	19	65.1	25.4	68.7	73.5	M16	4.20
UCF213 213-40	2-1/2	65	187	149	30	22	50	19	65.1	25.4	69.7	74.5	M16	5.30
UCF214 214-44	2-3/4	70	193	152	31	22	54	19	74.6	30.2	75.4	80	M16	5.90
UCF215 215-47 215-48	2-15/16 3	75	200	159	34	22	56	19	77.8	33.3	78.5	82.5	M16	6.30
UCF216		80	208	165	34	22	58	23	82.6	33.3	83.3	89	M20	7.30
UCF217 217-52	3-1/4	85	220	175	36	24	63	23	85.7	34.1	87.6	92.1	M20	8.90
UCF218 218-56	3-1/2	90	235	187	40	25	68	23	96	39.7	96.3	102	M20	11.60

Notes: 1. Pressed steel covers available at one end.S=Open cap,SM=Close cap. Ordering example:UCF205+SM.
2. Bearing housing solid base optional,add suffix SB as designation.