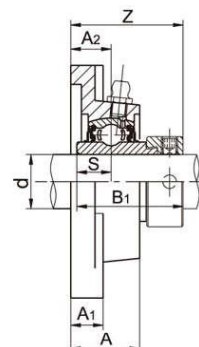
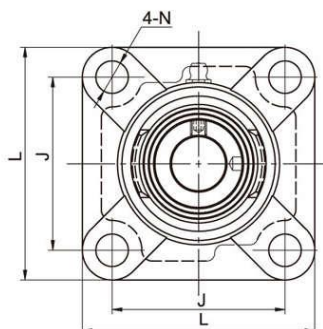


# LDK<sup>®</sup> 4-Bolt Flange Units

NAFS Standard duty, Wider inner ring bearing, Eccentric locking



Unit No.	Shaft Dia		Dimensions (mm)									Bolt Size (mm)	Weight (kg)
	d		L	J	A <sub>2</sub>	A <sub>1</sub>	A	N	B <sub>1</sub>	S	Z		
	(in)	(mm)											
NAFS 201S		12											
201-8S	1/2	15	76	54	15	11	24.5	11.5	37.3	13.9	38.4	M10	0.66
202S	5/8	17											
202-10S													
203S													
203-11S	11/16												
NAFS 201		12											
201-8	1/2	15	86	63.5	19	15	29.5	11.5	43.7	17	45.5	M10	0.8
202	5/8	17											
202-10													
203	11/16	20											
203-11													
204-12	3/4												
NAFS 205		25											
205-11	7/8	93	70	19	15	30	11.5	44.4	17.4	45.9	M10	0.95	
205-15	15/16												
205-16	1												
NAFS 206		30											
206-18	1-1/8	106	82.5	20	16	32.5	11.5	48.4	18.2	50.1	M10	1.32	
206-19	1-3/16												
206-20	1-1/4												
NAFS 207		35											
207-20	1-1/4	116	92	21	17	35	14	51.1	18.8	53.3	M12	1.77	
207-21	1-5/16												
207-22	1-3/16												
207-23	1-7/16												
NAFS 208		40											
208-24	1-1/2	129	101.5	24	17	39	14	56.3	21.4	58.9	M12	2.22	
208-25	1-9/16												
NAFS 209		45											
209-26	1-5/8	135	105	24	18	40	16	56.3	21.4	58.9	M14	2.63	
209-27	1-11/16												
209-28	1-3/4												
NAFS 210		50											
210-30	1-7/8	143	111	28	20	45	18	62.7	24.6	66.1	M16	2.95	
210-31	1-15/16												
210-32	2												
NAFS 211		55											
211-32	2	162	130	31	21	49	18	71.4	27.7	74.6	M16	4.10	
211-34	2-1/8												
211-35	2-3/16												
NAFS 212		60											
212-36	2-1/4	175	143	34	22	53.5	18	77.8	30.9	80.8	M16	4.86	
212-38	2-3/8												
212-39	2-7/16												
NAFS 213		65											
213-40	2-1/2	184	149	38	22	58	18	85.7	34.1	89.6	M16	5.90	
NAFS 214		70											
214-44	2-3/4	188	152	38	23	60	18	85.7	34.1	89.6	M16	6.45	
NAFS 215		75											
215-47	2-15/16	200	159	41	24	62	18	92.1	37.3	95.8	M16	7.55	
215-48	3												
NAFS 216		80	207	165	42	25	63	22	95.2	37.3	99.9	M20	8.65

Notes: Bearing housing solid base optional, add suffix SB as designation.