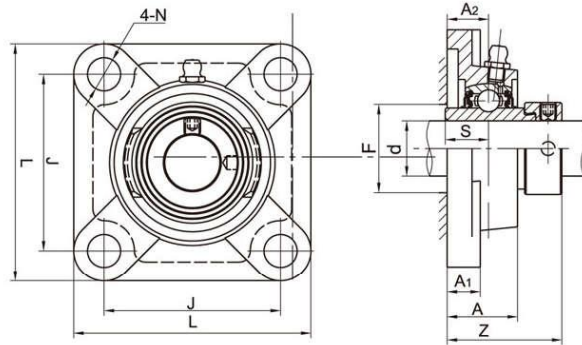


LDK[®] 4-Bolt Flange Units

NAF Standard duty, Wider inner ring bearing, Eccentric locking



Unit No.	Shaft Dia		Dimensions (mm)									Bolt Size (mm)	Weight (kg)
	d		L	J	A ₂	A ₁	A	N	S	Z	F		
	(in)	(mm)											
NAF 201S 201-8S 202S 202-10S 203S 203-11S	1/2 5/8 11/16	12 15 17	76	54	15	11	25.5	12	13.9	38.4	---	M10	0.5
NAF 201 201-8	1/2	12	86	64	15	12	25.5	12	17.1	41.6	32	M10	0.66
NAF 202 202-10	5/8	15	86	64	15	12	25.5	12	17.1	41.6	32	M10	0.66
NAF 203 203-11	11/16	17	86	64	15	12	25.5	12	17.1	41.6	32	M10	0.66
NAF 204 204-12	3/4	20	86	64	15	12	25.5	12	17.1	41.6	32	M10	0.66
NAF 205 205-14 205-15 205-16	7/8 15/16 1	25	95	70	16	14	27	12	17.5	42.9	36	M10	0.80
NAF 206 206-18 206-19 206-20	1-1/8 1-3/16 1-1/4	30	108	83	18	14	31	12	18.3	48.1	42	M10	1.2
NAF 207 207-20 207-21 207-22 207-23	1-1/4 1-5/16 1-3/8 1-7/16	35	117	92	19	16	34	14	18.8	51.3	49	M12	1.6
NAF 208 208-24 208-25	1-1/2 1-9/16	40	130	102	21	16	36	16	21.4	55.9	55	M14	1.9
NAF 209 209-26 209-27 209-28	1-5/8 1-11/16 1-3/4	45	137	105	22	18	38	16	21.4	56.9	---	M14	2.30
NAF 210 210-30 210-31	1-7/8 1-15/16	50	143	111	22	18	40	16	24.6	60.1	64	M14	2.60
NAF 211 211-32 211-34 211-35	2 2-1/8 2-3/16	55	162	130	25	20	43	19	27.8	68.6	71	M16	3.80
NAF 212 212-36 212-38 212-39	2-1/4 2-3/8 2-7/16	60	175	143	29	20	48	19	31	75.8	78	M16	4.80
NAF 213 213-40	2-1/2	65	187	149	30	22	50	19	34.3	81.4	85	M16	6
NAF 214 214-44	2-3/4	70	193	152	31	22	54	19	34.3	82.4	91	M16	6.3
NAF 215 215-48	3	75	200	159	34	22	56	19	37.3	88.8	96	M16	7.2

Notes: Bearing housing solid base optional, add suffix SB as designation.