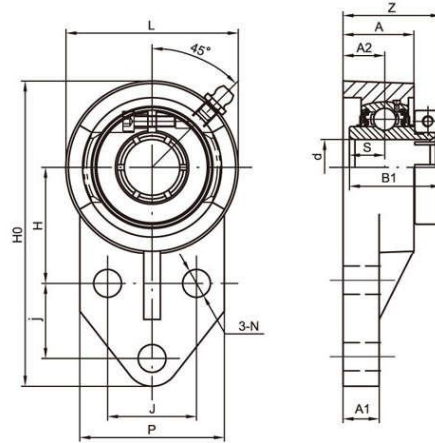


3-Bolt Flange Units **LDK**[®]

UEFB Standard duty, Flange bracket, Wider inner ring bearing, Concentric locking



Unit No.	Shaft Dia		Dimensions(mm)													Bolt Size (mm)	Weight (kg)	
	d		H ₀	H	J	j	A ₂	A ₁	A	N	L	P	B ₁	S	Z			
	(in)	(mm)																
UEFB204		20																
UEFB204-12	3/4		110	42	32	27	15	13	25.5	10	62	52	33	12.7	35.3	M8	0.692	
UEFB205		25																
UEFB205-14	7/8		116	45	34	27	16	13	27	10	68	56	35.4	14.3	37.1	M8	0.87	
UEFB205-15	15/16																	
UEFB205-16	1																	
UEFB206		30																
UEFB206-17	1-1/16		130	50	40	29	18	13	31	10	78	65	39.8	15.9	41.9	M8	1.13	
UEFB206-18	1-1/8																	
UEFB206-19	1-3/16																	
UEFB206-20	1-1/4																	
UEFB207		35																
UEFB207-20	1-1/4		144	55	46	32	19	15	34	10	90	70	43.9	17.5	45.4	M8	1.50	
UEFB207-21	1-5/16																	
UEFB207-22	1-3/8																	
UEFB207-23	1-7/16																	
UEFB208		40																
UEFB208-24	1-1/2		164	60	50	41	21	16	36	12	100	78	50.2	19.0	52.2	M10	2.07	
UEFB208-25	1-9/16																	
UEFB209		45																
UEFB209-26	1-5/8		174	65	54	43	22	18	38	12	106	80	50.2	19.0	53.2	M10	2.43	
UEFB209-27	1-11/16																	
UEFB209-28	1-3/4																	
UEFB210		50																
UEFB210-30	1-7/8		184	68	58	46	22	18	40	12	112	86	52.6	19.0	55.6	M10	2.80	
UEFB210-31	1-15/16																	
UEFB210-32	2																	