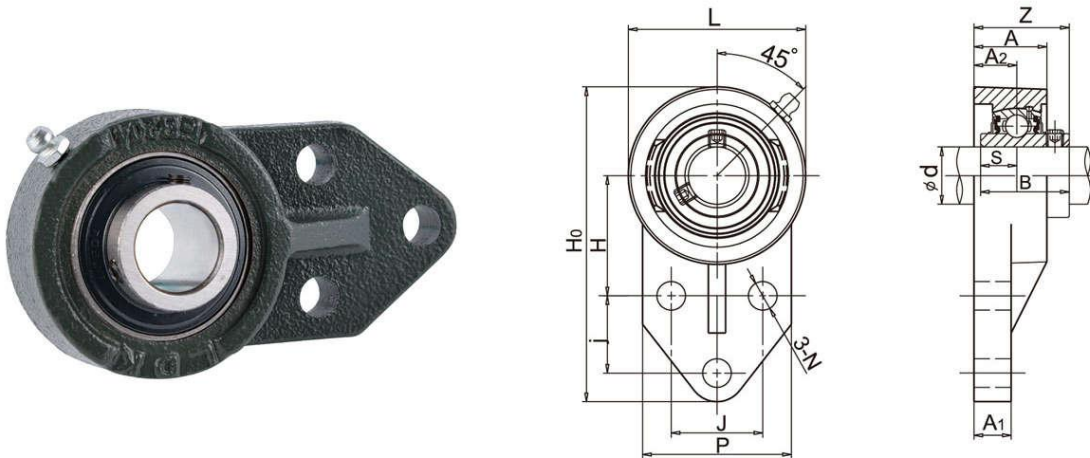


3-Bolt Flange Units **LDK**[®]

UCFB Standard duty, Flange bracket, Wider inner ring bearing, Setscrew locking



Unit No.	Shaft Dia		Dimensions(mm)													Bolt Size (mm)	Weight (kg)
	d (in)	d (mm)	H ₀	H	J	j	A ₂	A ₁	A	N	L	P	B	S	Z		
UCFB201 UCFB201-8	1/2	12	110	42	32	27	15	13	25.5	10	62	52	31	12.7	33.3	M8	0.62
UCFB202 UCFB202-9 UCFB202-10	9/16 5/8	15	110	42	32	27	15	13	25.5	10	62	52	31	12.7	33.3	M8	0.58
UCFB203 UCFB203-11	11/16	17	110	42	32	27	15	13	25.5	10	60	52	31	12.7	33.3	M8	0.57
UCFB204 UCFB204-12	3/4	20	110	42	32	27	15	13	25.5	10	62	52	31	12.7	33.3	M8	0.62
UCFB205 UCFB205-14 UCFB205-15 UCFB205-16	7/8 15/16 1	25	116	45	34	27	16	13	27	10	68	56	34.1	14.3	35.7	M8	0.69
UCFB206 UCFB206-17 UCFB206-18 UCFB206-19 UCFB206-20	1-1/16 1-1/8 1-3/16 1-1/4	30	130	50	40	29	18	13	31	10	78	65	38.1	15.9	40.2	M8	0.93
UCFB207 UCFB207-20 UCFB207-21 UCFB207-22 UCFB207-23	1-1/4 1-5/16 1-3/8 1-7/16	35	144	55	46	32	19	15	34	10	90	70	42.9	17.5	44.4	M8	1.30
UCFB208 UCFB208-24 UCFB208-25	1-1/2 1-9/16	40	164	60	50	41	21	16	36	12	100	78	49.2	19.0	51.2	M10	1.80
UCFB209 UCFB209-26 UCFB209-27 UCFB209-28	1-5/8 1-11/16 1-3/4	45	174	65	54	43	22	18	38	12	106	80	49.2	19.0	52.2	M10	2.00
UCFB210 UCFB210-30 UCFB210-31 UCFB210-32	1-7/8 1-15/16 2	50	184	68	58	46	22	18	40	12	112	86	51.6	19.0	54.6	M10	2.30