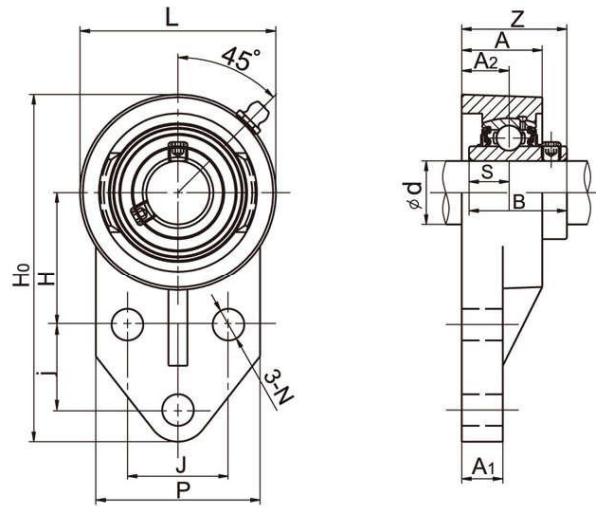


LDK[®] 3-Bolt Flange Units

UCFB..A Standard duty, Flange bracket, Inch-based housing, Wider inner ring bearing, Setscrew locking



Unit No.	Shaft Dia		Dimensions(mm)													Bolt Size (mm)	Weight (kg)
	d		H ₀	H	J	j	A ₂	A ₁	A	N	L	P	B	S	Z		
	(in)	(mm)															
UCFB201A	1/2	12	107.95	42.86	38.1	22.22	15.88	7.94	25.4	9.92	63.5	60.33	31	12.7	34.18	M8	0.62
UCFB201-8A																	
UCFB202A	9/16	15	107.95	42.86	38.1	22.22	15.88	7.94	25.4	9.92	63.5	60.33	31	12.7	34.18	M8	0.58
UCFB202-9A																	
UCFB202-10A	5/8																
UCFB203A	11/16	17	107.95	42.86	38.1	22.22	15.88	7.94	25.4	9.92	63.5	60.33	31	12.7	34.18	M8	0.57
UCFB203-11A																	
UCFB204A	3/4	20	107.95	42.86	38.1	22.22	15.88	7.94	25.4	9.92	63.5	60.33	31	12.7	34.18	M8	0.62
UCFB204-12A																	
UCFB205A	7/8	25															
UCFB205-14A																	
UCFB205-15A		15/16	120.65	46.04	41.27	28.58	17.07	9.53	28.57	9.92	69.85	63.5	34.1	14.3	36.87	M8	0.69
UCFB205-16A		1															
UCFB206A	1-1/16	30															
UCFB206-17A																	
UCFB206-18A		1-1/8	136.53	52.39	47.63	31.75	18.65	12.7	31.75	9.92	82.55	69.85	38.1	15.9	40.85	M8	0.93
UCFB206-19A		1-3/16															
UCFB206-20A		1-1/4															
UCFB207A	1-1/4	35															
UCFB207-20A																	
UCFB207-21A		1-5/16	155.58	60.33	50.8	31.75	21.03	12.7	36.51	13.1	95.25	82.55	42.9	17.5	46.43	M8	1.30
UCFB207-22A		1-3/8															
UCFB207-23A		1-7/16															
UCFB208A	1-1/2	40															
UCFB208-24A			164.31	60.33	50.01	41.27	21.03	15.88	35.72	11.91	100.01	77.79	49.2	19	51.23	M10	1.80
UCFB208-25A		1-9/16															