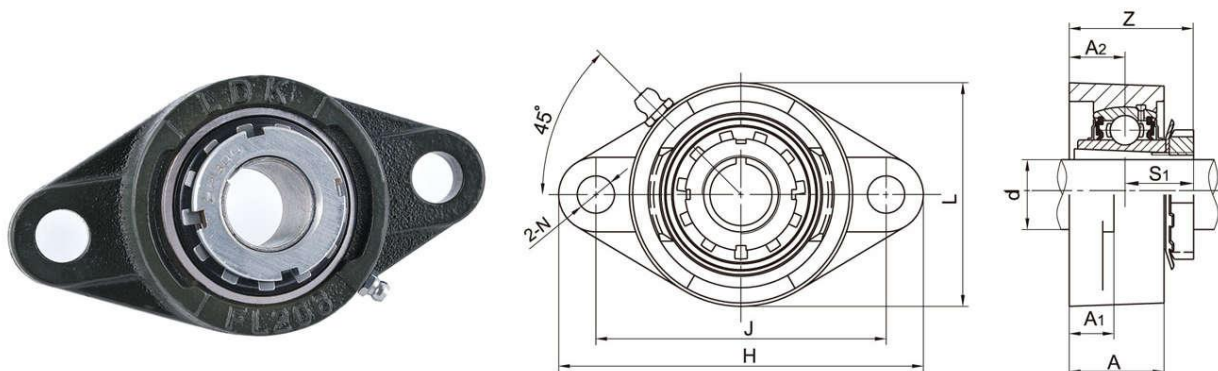


# LDK<sup>®</sup> 2-Bolt Flange Units

UKFL+H Standard duty, Tapered bore, Adapter sleeve locking



Unit No.	Shaft Dia		Dimensions (mm)									Bolt Size (mm)	Weight (kg)
	d		H	J	A <sub>2</sub>	A <sub>1</sub>	A	N	L	S <sub>1</sub>	Z		
	(in)	(mm)											
UKFL205+H2305 205+HE2305	3/4	20	130	99	16	13	27	16	68	18.5	34.5	M14	0.6
UKFL206+H2306 206+HS2306 206+HA2306 206+HE2306	7/8 15/16 1	25	148	117	18	13	31	16	80	20.5	38.5	M14	0.96
UKFL207+H2307 207+HS2307 207+HA2307	1-1/8 1-3/16	30	160	130	19	15	34	16	90	22.5	41.5	M14	1.3
UKFL208+H2308 208+HE2308 208+HS2308	1-1/4 1-3/8	35	175	144	21	15	36	16	100	24.5	45.5	M14	1.6
UKFL209+H2309 209+HA2309 209+HE2309	1-7/16 1-1/2	40	188	148	22	16	38	19	108	26	48	M16	2.0
UKFL210+H2310 210+HS2310 210+HA2310 210+HE2310	1-5/8 1-11/16 1-3/4	45	197	157	22	16	40	19	115	27.5	49.5	M16	2.3
UKFL211+H2311 211+HS2311 211+HA2311 211+HE2311	1-7/8 1-15/16 2	50	224	184	25	18	43	19	125	28.5	53.5	M16	3.3
UKFL212+H2312 212+HS2312	2-1/8	55	250	202	29	18	48	23	140	31	60	M20	4.0
UKFL213+H2313 213+HA2313 213+HE2313 213+HS2313	2-3/16 2-1/4 2-3/8	60	258	210	30	22	50	23	155	32	62	M20	5.1
UKFL215+H2315 215+HA2315 215+HE2315	2-7/16 2-1/2	65	275	225	34	22	56	23	165	35.5	69.5	M20	6.4
UKFL216+H2316 216+HA2316 216+HE2316	2-11/16 2-3/4	70	290	233	34	22	58	25	180	39	73	M22	8.0

Notes: Bearing housing solid base optional, add suffix SB as designation.