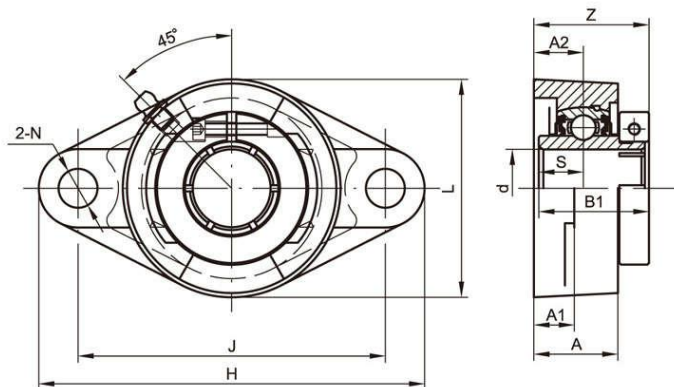


# 2-Bolt Flange Units **LDK**<sup>®</sup>

UEFT Standard duty, Wider inner ring bearing, Concentric locking



Unit No.	Shaft Dia		Dimensions (mm)										Bolt Size (mm)	Weight (kg)
	d		H	J	A <sub>2</sub>	A <sub>1</sub>	A	N	L	B <sub>1</sub>	S	Z		
	(in)	(mm)												
UEFT204 204-12	3/4	20	112	89.7	14.3	11	25	10.5	60	33	12.7	34.6	M8	0.51
UEFT205 205-13 205-14 205-15 205-16	13/16 7/8 15/16 1	25	124	98.8	15.9	13	27	12.5	70	35.4	14.3	36.9	M10	0.72
UEFT206 206-17 206-18 206-19 206-20	1-1/16 1-1/8 1-3/16 1-1/4	30	141	116.7	17.9	13	30	12.5	83	39.8	15.9	41.8	M10	1.04
UEFT207 207-20 207-21 207-22 207-23	1-1/4 1-5/8 1-3/8 1-7/16	35	156	130.2	19.1	14	34	14	95	43.9	17.5	45.5	M12	1.48
UEFT208 208-24 208-25	1-1/2 1-9/16	40	171	143.7	21	14	38	14	105	50.2	19	52.2	M12	1.86
UEFT209 209-26 209-27 209-28	1-5/8 1-11/16 1-3/4	45	179	148.4	21.8	14	40	16	111	50.2	19	53	M14	2.14
UEFT210 210-29 210-30 210-31 210-32	1-13/16 1-7/8 1-15/16 2	50	189	157.2	22.2	14	40	16	116	52.6	19	55.8	M14	2.26
UEFT211 211-32 211-33 211-34 211-35	2 2-1/16 2-1/8 2-3/16	55	216	184.2	25.4	21	44	18	133	56.6	22.2	59.8	M16	3.31

Notes: Bearing housing solid base optional, add suffix SB as designation.