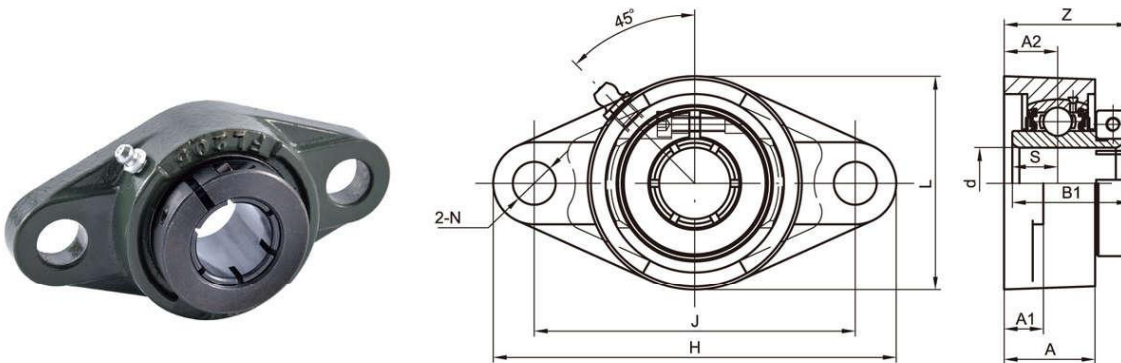


2-Bolt Flange Units **LDK**[®]

UEFL Standard duty,Wider inner ring bearing, Concentric locking



Unit No.	Shaft Dia		Dimensions(mm)										Bolt Size (mm)	Weight (kg)
	d		H	J	A ₂	A ₁	A	N	L	B ₁	S	Z		
	(in)	(mm)												
UEFL204 204-12	3/4	20	113	90	15	11	25.5	12	60	33	12.7	35.3	M10	0.47
UEFL205 205-14 205-15 205-16	7/8 15/16 1	25	130	99	16	13	27	16	68	35.4	14.3	37.1	M14	0.64
UEFL206 206-17 206-18 206-19 206-20	1-1/16 1-1/8 1-3/16 1-1/4	30	148	117	18	13	31	16	80	39.8	15.9	41.9	M14	0.95
UEFL207 207-20 207-21 207-22 207-23	1-1/4 1-5/16 1-3/8 1-7/16	35	160	130	19	15	34	16	90	43.9	17.5	45.4	M14	1.27
UEFL208 208-24 208-25	1-1/2 1-9/16	40	175	144	21	15	36	16	100	50.2	19	52.2	M14	1.62
UEFL209 209-26 209-27 209-28	1-5/8 1-11/16 1-3/4	45	188	148	22	16	38	19	108	50.2	19	53.2	M16	2.02
UEFL210 210-30 210-31 210-32	1-7/8 1-15/16 2	50	197	157	22	16	40	19	115	52.6	19	55.6	M16	2.27
UEFL211 211-32 211-34 211-35	2 2-1/8 2-3/16	55	224	184	25	18	43	19	125	56.6	22.2	59.4	M16	3.34
UEFL212 212-36 212-38 212-39	2-1/4 2-3/8 2-7/16	60	250	202	29	18	48	23	140	66.6	25.4	70.2	M20	4.3

Notes: Bearing housing solid base optional, add suffix SB as designation.