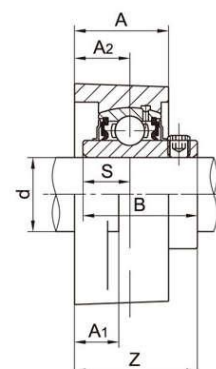
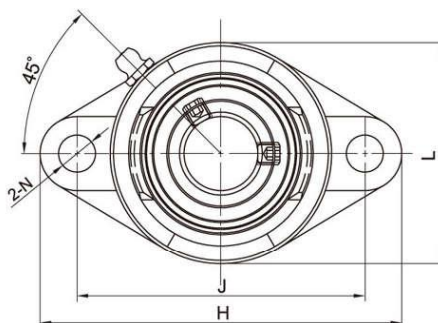


LDK[®] 2-Bolt Flange Units

UCFT Standard duty,Wider inner ring bearing,Setscrew locking



Unit No.	Shaft Dia		Dimensions (mm)										Bolt Size (mm)	Weight (kg)
	d		H	J	A ₂	A ₁	A	N	L	B	S	Z		
	(in)	(mm)												
UCFT201		12												
201-8	1/2	12												
202		15												
202-9	9/16	15	99	76.2	15.1	11	25	10.5	54	27.4	11.5	31	M8	0.4
202-10	5/8	15												
203		17												
203-11	11/16	17												
UCFT204		20												
204-12	3/4	20	112	89.7	14.3	11	25	10.5	60	31	12.7	32.6	M8	0.45
UCFT205		25												
205-13	13/16	25												
205-14	7/8	25	124	98.8	15.9	13	27	12.5	70	34.1	14.3	35.6	M10	0.66
205-15	15/16	25												
205-16	1	25												
UCFT206		30												
206-17	1-1/16	30												
206-18	1-1/8	30	141	116.7	17.9	13	30	12.5	83	38.1	15.9	40.1	M10	0.86
206-19	1-3/16	30												
206-20	1-1/4	30												
UCFT207		35												
207-20	1-1/4	35												
207-21	1-5/8	35	156	130.2	19.1	14	34	14	95	42.9	17.5	44.5	M12	1.31
207-22	1-3/8	35												
207-23	1-7/16	35												
UCFT208		40												
208-24	1-1/2	40	171	143.7	21	14	38	14	105	49.2	19	51.2	M12	1.53
208-25	1-9/16	40												
UCFT209		45												
209-26	1-5/8	45												
209-27	1-11/16	45	179	148.4	21.8	14	40	16	111	49.2	19	52	M14	1.73
209-28	1-3/4	45												
UCFT210		50												
210-29	1-13/16	50												
210-30	1-7/8	50	189	157.2	22.2	14	40	16	116	51.6	19	54.8	M14	2.28
210-31	1-15/16	50												
210-32	2	50												
UCFT211		55												
211-32	2	55												
211-33	2-1/16	55	216	184.2	25.4	21	44	18	133	55.6	22.2	58.8	M16	2.72
211-34	2-1/8	55												
211-35	2-3/16	55												

Notes: Bearing housing solid base optional, add suffix SB as designation.