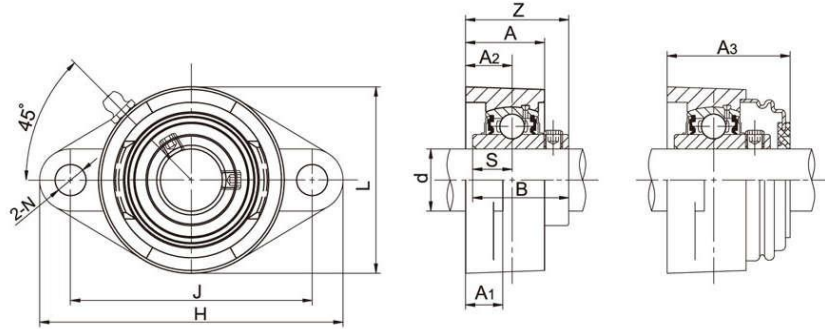


2-Bolt Flange Units **LDK**[®]

UCFL Standard duty,Wider inner ring bearing,Setscrew locking



Unit No.	Shaft Dia		Dimensions(mm)										Bolt Size (mm)	Weight (kg)	
	d		H	J	A ₂	A ₁	A	N	L	B	S	Z			A ₃
	(in)	(mm)													
UCWFL201 202 203		12 15 17	97	76.5	15	11	25.5	11.5	55	27.4	11.5	30.9		M10	0.52 0.48 0.37
UCFL201 201-8	1/2	12	113	90	15	11	25.5	12	60	31	12.7	33.3		M10	0.51
UCFL 202 202-9 202-10	9/16 5/8	15	113	90	15	11	25.5	12	60	31	12.7	33.3		M10	0.51
UCFL203 203-11	11/16	17	113	90	15	11	25.5	12	60	31	12.7	33.3		M10	0.51
UCFL204 204-12	3/4	20	113	90	15	11	25.5	12	60	31	12.7	33.3	38.2	M10	0.51
UCFL205 205-14 205-15 205-16	7/8 15/16 1	25	130	99	16	13	27	16	68	34.1	14.3	35.8	40	M14	0.6
UCFL206 206-17 206-18 206-19 206-20	1-1/16 1-1/8 1-3/16 1-1/4	30	148	117	18	13	31	16	80	38.1	15.9	40.2	44	M14	0.9
UCFL207 207-20 207-21 207-22 207-23	1-1/4 1-5/16 1-3/8 1-7/16	35	160	130	19	15	34	16	90	42.9	17.5	44.4	48.5	M14	1.2
UCFL208 208-24 208-25	1-1/2 1-9/16	40	175	144	21	15	36	16	100	49.2	19	51.2	55.1	M14	1.5
UCFL209 209-26 209-27 209-28	1-5/8 1-11/16 1-3/4	45	188	148	22	16	38	19	108	49.2	19	52.2	57	M16	1.9
UCFL210 210-30 210-31 210-32	1-7/8 1-15/16 2	50	197	157	22	16	40	19	115	51.6	19	54.6	60	M16	2.2
UCFL211 211-32 211-34 211-35	2 2-1/8 2-3/16	55	224	184	25	18	43	19	125	55.6	22.2	58.4	63	M16	3.0
UCFL212 212-36 212-38 212-39	2-1/4 2-3/8 2-7/16	60	250	202	29	18	48	23	140	65.1	25.4	68.7	73.5	M20	4.0
UCFL213 213-40	2-1/2	65	258	210	30	22	50	23	155	65.1	25.4	69.7	74.5	M20	5.0
UCFL214 214-44	2-3/4	70	265	216	31	22	54	23	160	74.6	30.2	75.4	80	M20	5.6
UCFL215 215-47 215-48	2-15/16 3	75	275	225	34	22	56	23	165	77.8	33.3	78.5	82.5	M20	6.2
UCFL216		80	290	233	34	22	58	25	180	82.6	33.3	83.3	89	M22	7.8
UCFL217 217-52	3-1/4	85	305	248	36	24	63	25	190	85.7	34.1	87.6	93.1	M22	9.8
UCFL218 218-56	3-1/2	90	320	265	40	24	68	25	205	96	39.7	96.3	102	M22	12.4

Notes:1. Pressed steel covers available at one end.S=Open cap,SM=Close cap. Ordering example:UCFL205+SM.
2. Bearing housing solid base optional,add suffix SB as designation.