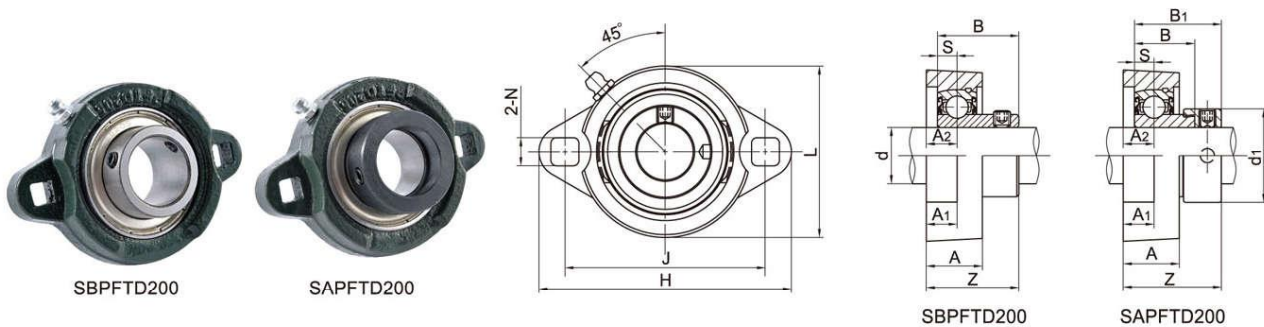


2-Bolt Flange Units **LDK**[®]

SBPFTD/SAPFTD Light duty, Ductile iron housing, Setscrew/Eccentric locking



SBPFTD200 Series

Unit No.	Shaft Dia		Dimensions (mm)										Bolt Size		Weight (kg)
	d		H	J	L	A ₂	A	A ₁	N	S	B	Z	(mm)	(in)	
	(in)	(mm)													
SBPFTD201		12													
201-8	1/2	15	81	63.5	56	9	18	9	8.7	6	22	25	M8	5/16	0.23
202		17													
202-10	5/8														
203															
203-11	11/16														
SBPFTD204-12	3/4	20	91	71.5	63	10.2	20	10.2	8.7	7	25	28.2	M8	5/16	0.27
204															
SBPFTD205-14	7/8	25	96	76.2	69	10.5	19	8.7	8.7	7.5	27	28.2	M8	5/16	0.38
205-15	15/16														
205															
205-16	1														
SBPFTD206-18	1-1/8	30	113	90.5	79	11.5	22	11.5	10.3	8	30	33.5	M10	3/8	0.54
206															
206-19	1-3/16														
206-20	1-1/4														
SBPFTD207-20	1-1/4	35	122.5	100	89	12.7	23.8	11.8	10.3	8.5	32	35.3	M10	3/8	0.71
207-21	1-5/16														
207-22	1-3/8														
207															
207-23	1-7/16														

SAPFTD200 Series

Unit No.	Shaft Dia		Dimensions (mm)										Bolt Size		Weight (kg)	
	d		H	J	L	A ₂	A	A ₁	N	S	B	B ₁	Z	(mm)		(in)
	(in)	(mm)														
SAPFTD201		12														
201-8	1/2	15	81	63.5	56	9	18	9	8.7	6.5	19.1	28.6	31.1	M8	5/16	0.26
202		17														
202-10	5/8															
203																
203-11	11/16															
SAPFTD204-12	3/4	20	91	71.5	63	10.2	20	10.2	8.7	7.5	21.5	31	33.6	M8	5/16	0.29
204																
SAPFTD205-14	7/8	25	96	76.2	69	10.5	19	8.7	8.7	7.5	22	31.5	32.1	M8	5/16	0.4
205-15	15/16															
205																
205-16	1															
SAPFTD206-18	1-1/8	30	113	90.5	79	11.5	22	11.5	10.3	9	23.8	35.7	38.2	M10	3/8	0.60
206																
206-19	1-3/16															
206-20	1-1/4															
SAPFTD207-20	1-1/4	35	122.5	100	89	12.7	23.8	11.8	10.3	9.5	25.4	38.9	41.2	M10	3/8	0.84
207-21	1-5/16															
207-22	1-3/8															
207																
207-23	1-7/16															

NOTE: Cast iron housing is also available, Please check with LDK sales.