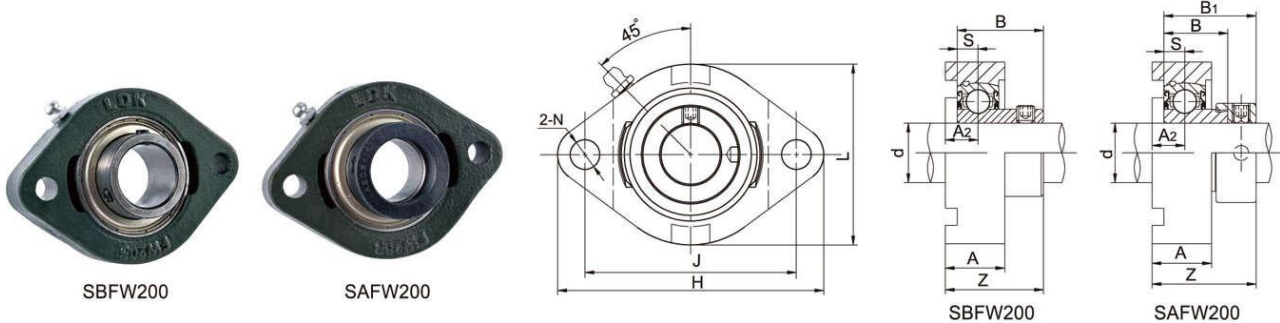


2-Bolt Flange Units **LDK**[®]

SBFW/SAFW Light duty, Setscrew/Eccentric locking, Housing slot on same side of setscrew or eccentric collar



SBFW200 Series

Unit No.	Shaft Dia		Dimensions(mm)										Bolt Size (mm)	Weight (kg)
	d		H	J	A ₂	A	N	L	B	S	Z			
	(in)	(mm)												
SBFW 201 201-8	1/2	12	81	63.5	8.5	15	7	59	22	6	24.5	M6	0.28	
SBFW 202 202-9 202-10	9/16 5/8	15	81	63.5	8.5	15	7	59	22	6	24.5	M6	0.27	
SBFW 203 203-11	11/16	17	81	63.5	8.5	15	7	59	22	6	24.5	M6	0.26	
SBFW 204 204-12	3/4	20	90	71	9.5	17	9	67	25	7	27.5	M8	0.37	
SBFW 205 205-14 205-15 205-16	7/8 15/16 1	25	95	76	9.5	17.5	9	71	27	7.5	29	M8	0.44	
SBFW 206 206-17 206-18 206-19 206-20	1-1/16 1-1/8 1-3/16 1-1/4	30	113	90	12	20.5	12	84	30	8	34	M10	0.7	
SBFW 207 207-20 207-21 207-22 207-23	1-1/4 1-5/16 1-3/8 1-7/16	35	125	100	12.5	22	12	93	32	8.5	36	M10	0.91	
SBFW 208 208-24 208-25	1-1/2 1-9/16	40	148	119	14.5	25	13.5	104	34	9	39.9	M12	1.2	

SAFW200 Series

Unit No.	Shaft Dia		Dimensions(mm)										Bolt Size (mm)	Weight (kg)
	d		H	J	A ₂	A	N	L	B ₁	B	S	Z		
	(in)	(mm)												
SAFW 201 201-8	1/2	12	81	63.5	8.5	15	7	59	28.6	19.1	6	31.1	M6	0.28
SAFW 202 202-9 202-10	9/16 5/8	15	81	63.5	8.5	15	7	59	28.6	19.1	6	31.1	M6	0.27
SAFW 203 203-11	11/16	17	81	63.5	8.5	15	7	59	28.6	22	6	31.1	M6	0.26
SAFW 204 204-12	3/4	20	90	71	9.5	17	9	67	31	21.5	7	33.5	M8	0.37
SAFW 205 205-14 205-15 205-16	7/8 15/16 1	25	95	76	9.5	17.5	9	71	31.5	22	7.5	33.5	M8	0.44
SAFW 206 206-17 206-18 206-19 206-20	1-1/16 1-1/8 1-3/16 1-1/4	30	113	90	12	20.5	12	84	35.7	23.8	8.0	39.7	M10	0.7
SAFW 207 207-20 207-21 207-22 207-23	1-1/4 1-5/16 1-3/8 1-7/16	35	125	100	12.5	22	12	93	38.9	25.4	8.5	42.9	M10	0.91
SAFW 208 208-24 208-25	1-1/2 1-9/16	40	148	119	14.5	25	13.5	104	43.7	30.2	9	49.2	M12	1.2