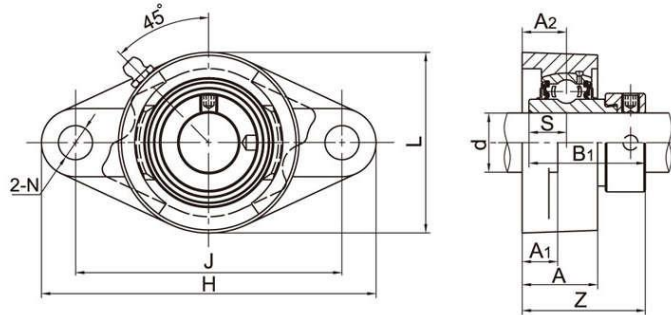


2-Bolt Flange Units **LDK**[®]

NAFLU Standard duty, Wider inner ring bearing, Eccentric locking



Unit No.	Shaft Dia		Dimensions (mm)										Bolt Size (mm)	Weight (kg)	
	d (in)	d (mm)	H	J	L	A ₂	A ₁	A	N	B ₁	S	Z			
NAFLU 201S		12													
201-8S	1/2	15													
202S		15	99	76.5	57	15	11	24.5	11.5	37.3	13.9	38.4	M10	0.66	
202-10S	5/8														
203S		17													
203-11S	11/16														
NAFLU 201		12													
201-8	1/2	15													
202		15													
202-10	5/8														
203		17	112.5	90	61	19	15	29.5	11.5	43.7	17	45.5	M10	0.73	
203-11	11/16	20													
204															
204-12	3/4														
NAFLU 205		25													
205-14	7/8														
205-15	15/16		123	99	70	19	15	30	11.5	44.4	17.4	45.9	M10	0.8	
205-16	1														
NAFLU 206		30													
206-18	1-1/8														
206-19	1-3/16														
206-20	1-1/4		142	116.5	82	20	13	32.5	11.5	48.4	18.2	50.1	M10	1.2	
NAFLU 207		35													
207-20	1-1/4														
207-21	1-5/16														
207-22	1-3/16														
207-23	1-7/16		158	130	94	21	17	36	14	51.1	18.8	53.3	M12	1.6	
NAFLU 208		40													
208-24	1-1/2														
208-25	1-9/16		172	143.5	103	24	17	39	14	56.3	21.4	58.9	M12	1.9	
NAFLU 209		45													
209-26	1-5/8														
209-27	1-11/16														
209-28	1-3/4		180	148.5	108	24	18	40	16	56.3	21.4	58.9	M14	2.3	
NAFLU 210		50													
210-30	1-7/8														
210-31	1-15/16														
210-32	2		190	157	114	28	20	45	18	62.7	24.6	66.1	M16	2.6	
NAFLU 211		55													
211-32	2														
211-34	2-1/8														
211-35	2-3/16		217	184	128	31	21	48	18	71.4	27.7	74.6	M16	3.8	
NAFLU 212		60													
212-36	2-1/4														
212-38	2-3/8														
212-39	2-7/16		237	202	138	34	21	53	18	77.8	30.9	80.8	M16	4.8	
NAFLU 213		65													
213-40	2-1/2		256	210	152	38	22	56	21	85.7	34.1	89.6	M18	6.0	
NAFLU 214		70													
214-44	2-3/4		264	216	157	38	23	58	21	85.7	34.1	89.6	M18	6.3	
NAFLU 215		75													
215-47	2-15/16														
215-48	3		275	225	164	41	24	62	21	92.1	37.3	95.8	M18	7.2	

Notes: Bearing housing solid base optional, add suffix SB as designation.