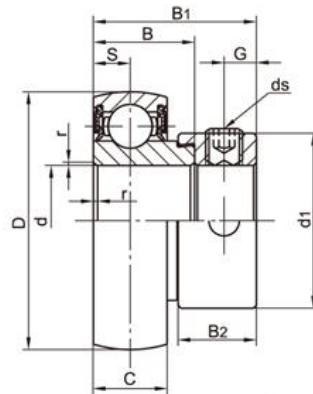


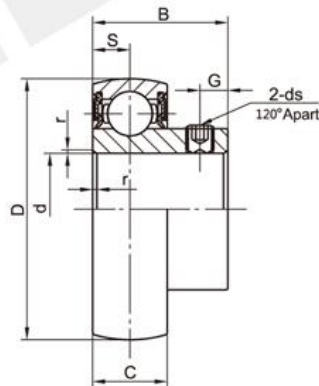
# LDK<sup>®</sup> Silver Series

## K/U Setscrew/Eccentric locking



### U000 Series

Bearing No.	Shaft d(mm)	Dimensions(mm)										Basic Load Rating kgf		Weight (kg)
		D	B	C	S	B <sub>1</sub>	B <sub>2</sub>	d <sub>1</sub>	r	G	ds	Dynamic Cr	Static Cor	
U 000	10	26	11	8	4	17.5	8.5	17	0.7	3.5	M4X0.7	4.60	1.96	0.03
U 001	12	28	11	8	4	17.5	8.5	19	0.7	3.5	M4X0.7	5.09	2.4	0.04
U 002	15	32	12	9	4.5	18.5	8.5	22	0.7	3.5	M4X0.7	5.58	2.84	0.05
U 003	17	35	13.5	10	5	20.5	9.5	25	0.8	3.5	M4X0.7	5.97	3.28	0.07
U 004	20	42	16.5	12	6	24.5	11	30	1.3	3.8	M5X0.8	9.35	5.04	0.11
U 005	25	47	17.5	12	6	25.5	12	36	1.3	4	M5X0.8	10.09	5.83	0.15
U 006	30	55	18.5	13	6.5	26.5	12	42	1.5	4	M5X0.8	13.23	8.28	0.21

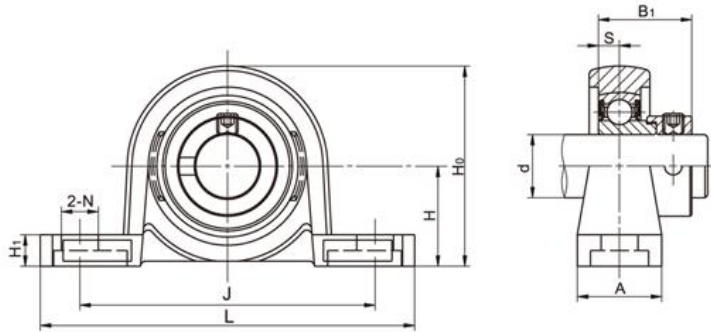


### K000 Series

Bearing No.	Shaft d(mm)	Dimensions(mm)							Basic Load Rating kgf		Weight (kg)
		D	B	C	S	r	G	ds	Dynamic Cr	Static Cor	
K 000	10	26	14	8	4	0.7	3	M3x0.35	4.6	1.96	0.03
K 001	12	28	14.5	8	4	0.7	3	M3x0.35	5.09	2.4	0.04
K 002	15	32	16.5	9	4.5	0.7	3.5	M4X0.5	5.58	2.84	0.05
K 003	17	35	17.5	10	5	0.8	3.5	M4X0.5	5.97	3.28	0.07
K 004	20	42	21	12	6	1.3	4	M5X0.5	9.35	5.04	0.11
K 005	25	47	22.5	12	6	1.3	4.5	M5X0.5	10.09	5.83	0.15
K 006	30	55	24.5	13	6.5	1.5	5	M5X0.5	13.23	8.28	0.21

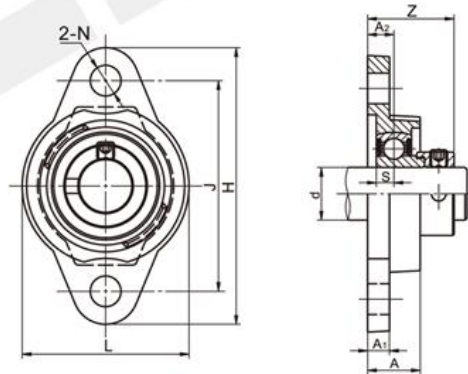
# Silver Series LDK®

UP/UFL Setscrew/Eccentric locking, Pillow block/2-Bolt flange



## UP000 Series

Unit No.	Shaft d(mm)	Dimensions(mm)									Bolt Size mm	Bearing No.	Housing No.	Weight (kg)
		H	L	J	A	H1	H0	N	S	B1				
UP000	10	18	67	53	16	6	35	7	4	17.7	M6	U000	P000	0.08
UP001	12	19	71	56	16	6	38	7	4	17.7	M6	U001	P001	0.10
UP002	15	22	80	63	16	7	43	7	4.5	18.7	M6	U002	P002	0.14
UP003	17	24	85	67	18	7	47	7	5	20.7	M6	U003	P003	0.17
UP004	20	28	100	80	20	9	55	10	6	24.2	M8	U004	P004	0.26
UP005	25	32	112	90	20	10	62	10	6	25	M8	U005	P005	0.33
UP006	30	36	132	106	26	11	70	13	6.5	26	M10	U006	P006	0.50

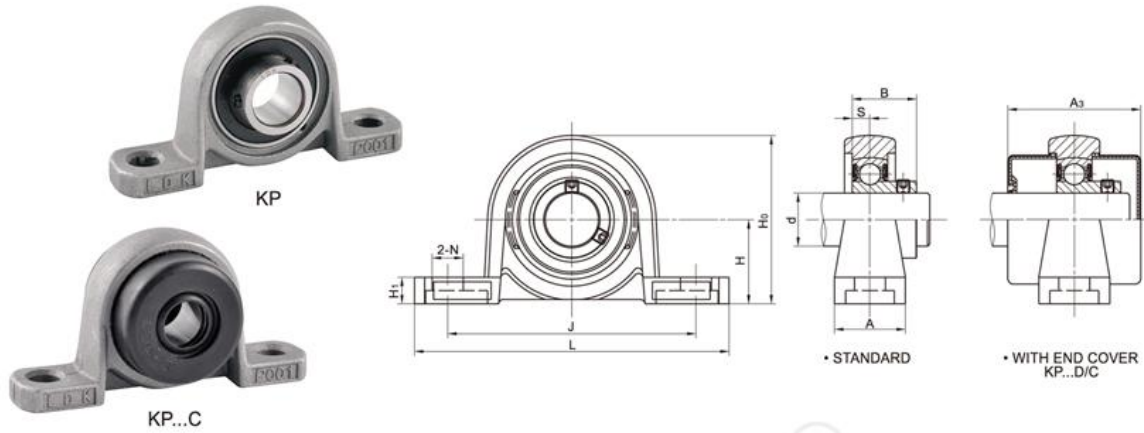


## UFL000 Series

Unit No.	Shaft d(mm)	Dimensions(mm)									Bolt Size mm	Bearing No.	Housing No.	Weight (kg)
		H	J	A2	A1	A	N	L	S	z				
UFL000	10	60	45	6	6	12	7	36	4	19.7	M6	U000	FL000	0.07
UFL001	12	63	48	6	6	12	7	38	4	19.7	M6	U001	FL001	0.08
UFL002	15	67	53	6.5	6.5	13	7	42	4.5	20.7	M6	U002	FL002	0.11
UFL003	17	71	56	7	7	14	7	46	5	22.7	M6	U003	FL003	0.14
UFL004	20	90	71	8	8	16	10	55	6	26.2	M8	U004	FL004	0.23
UFL005	25	95	75	8	8	16	10	60	6	27	M8	U005	FL005	0.27
UFL006	30	112	85	9	9	18	13	70	6.5	28.5	M10	U006	FL006	0.39

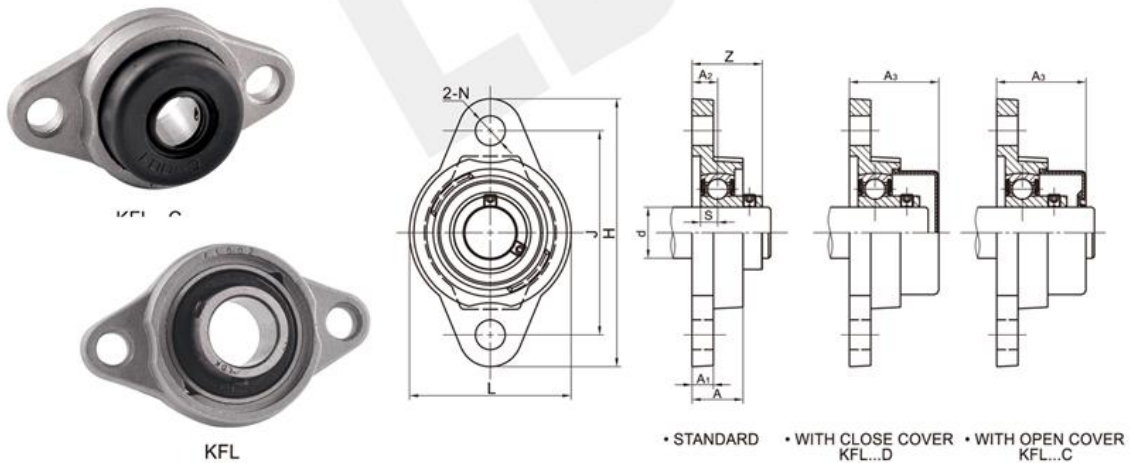
# LDK<sup>®</sup> Silver Series

KP/KFL Setscrew/Eccentric locking, Pillow block/2-Bolt flange, With close/open covers



## KP000 Series

Unit No.	Shaft d(mm)	Dimensions(mm)											Bolt Size mm	Bearing No.	Housing No.	Weight (kg)
		H	L	J	A	H1	H0	N	S	B	A3					
KP000	10	18	67	53	16	6	35	7	4	14	28.3	M6	K000	P000	0.08	
KP001	12	19	71	56	16	6	38	7	4	14.5	30	M6	K001	P001	0.1	
KP002	15	22	80	63	16	7	43	7	4.5	16.5	33	M6	K002	P002	0.14	
KP003	17	24	85	67	18	7	47	7	5	17.5	36	M6	K003	P003	0.17	
KP004	20	28	100	80	20	9	55	10	6	21	40	M8	K004	P004	0.25	
KP005	25	32	112	90	20	10	62	10	6	22.5	41	M8	K005	P005	0.33	
KP006	30	36	132	106	26	11	70	13	6.5	24.5	43	M10	K006	P006	0.5	



## KFL000 Series

Unit No.	Shaft d(mm)	Dimensions(mm)											Bolt Size mm	Bearing No.	Housing No.	Weight (kg)
		H	J	A2	A1	A	N	L	S	z	A3					
KFL000	10	60	45	6	6	12	7	36	4	16	20.3	M6	K000	FL000	0.07	
KFL001	12	63	48	6	6	12	7	38	4	16.5	21	M6	K001	FL001	0.08	
KFL002	15	67	53	6.5	6.5	13	7	42	4.5	18.5	23	M6	K002	FL002	0.11	
KFL003	17	71	56	7	7	14	7	46	5	19.5	25	M6	K003	FL003	0.14	
KFL004	20	90	71	8	8	16	10	55	6	23	28	M8	K004	FL004	0.23	
KFL005	25	95	75	8	8	16	10	60	6	24.5	28.5	M8	K005	FL005	0.27	
KFL006	30	112	85	9	9	18	13	70	6.5	27	30.5	M10	K006	FL006	0.39	

Suffix D for close cover, ordering example D002.  
 Suffix C for close cover, ordering example C002.