

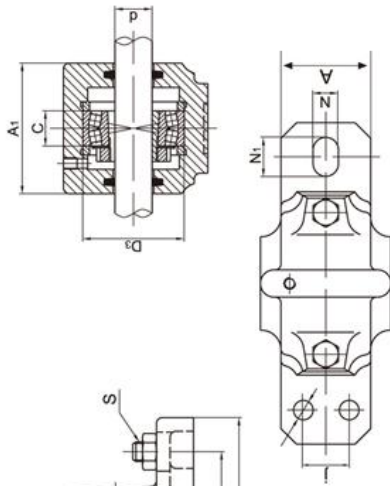
Housing No.	Shaft		Dimensions (mm)														Wt Kg	Bearing No		Adapter	Sleeve	Locating Ring			
	mm	in	D Ha	L	A	H <sub>1</sub>	g	H	C	H <sub>0</sub>	J	S	N	N <sub>1</sub>	d <sub>2</sub>	d <sub>3</sub>		f <sub>1</sub>	f <sub>2</sub>			Number	QTY		
SN505	20	3/4	52	165	46	22	25	40	67	75	130	M12	15	20	21.5	31	3	4.2	1.55	1205K 2205K	22205K	H205 H305	HE205 HE305	SR52X5 SR52X7	2 1
SN506	25	1	62	185	52	22	30	50	77	90	150	M12	15	20	26.5	38	4	5.4	1.95	1206K 2206K	22206K	H206 H306	HE206 HE306	SR62X7 SR62X10	2 1
SN507	30	1 1/4	72	185	52	22	33	50	82	95	150	M12	15	20	31.5	43	4	5.4	2.15	1207K 2207K	22207K	H207 H307	HE207 HE307	SR72X8 SR72X10	2 1
SN508	35	1 1/4	80	205	60	25	33	60	85	110	170	M12	15	20	36.5	48	4	5.4	3.2	1208K 2208K	22208K	H208 H308	HE208 HE308	SR80X7.5 SR80X10	2 1
SN509	40	1 1/2	85	205	60	25	31	60	85	112	170	M12	15	20	41.5	53	4	5.4	3.45	1209K 2209K	22209K	H209 H309	HE209 HE309	SR85X6 SR85X8	2 2
SN510	45	1 3/4	90	205	60	25	33	60	90	115	170	M12	15	20	46.5	58	4	5.4	3.6	1210K 2210K	22210K	H210 H310	HE210 HE310	SR90X6.5 SR90X10	2 1
SN511	50	2	100	255	70	28	33	70	95	130	210	M16	18	23	51.5	67	5	6.9	5.19	1211K 2211K	22211K	H211 H311	HE211 HE311	SR100X6 SR100X8	2 1
SN512	55	2 1/8	110	255	70	30	38	70	105	135	210	M16	18	23	56.5	72	5	6.9	5.39	1212K 2212K	22212K	H212 H312	HE212 HE312	SR110X8 SR110X10	2 1
SN513	60	2 1/4	120	275	80	30	43	80	110	150	230	M16	18	23	62	77	5	6.8	7.1	1213K 2213K	22213K	H213 H313	HE213 HE313	SR120X10 SR120X12	2 1
SN515	65	2 1/2	130	280	80	30	41	80	115	155	230	M16	18	23	67	82	5	6.8	7.4	1215K 2215K	22215K	H215 H315	HE215 HE315	SR130X8 SR130X10	2 1
SN516	70	2 3/4	140	315	90	32	43	95	120	175	260	M20	22	27	72	89	6	8.1	9.5	1216K 2216K	22216K	H216 H316	HE216 HE316	SR140X8.5 SR140X10	2 1
SN517	75	3	150	320	90	32	46	95	125	185	260	M20	22	27	77	94	6	8.1	10.5	1217K 2217K	22217K	H217 H317	HE217 HE317	SR150X9 SR150X10	2 1
SN518	80	3 1/4	160	345	100	35	62.4	100	145	195	290	M20	22	27	82	99	6	8.1	13.4	1218K 2218K	22218K	H218 H318	HE218 HE318	SR160X11.2 SR160X11.2 SR160X10	2 1 1
SN519	85	—	170	345	100	35	53	112	140	210	290	M20	22	27	87	104	6	8.1	15.6	1219K 2219K	22219K	H219 H319	HE219 HE319	SR170X10.5 SR170X10	2 1
SN520	90	3 1/2	180	380	110	40	70.3	112	160	218	320	M24	26	32	92	111	7	9.3	19	2220K	22220K	H220 H320	HE220 HE320	SR180X12.1 SR180X10	2 1
SN522	100	4	200	410	120	45	80	125	175	240	350	M24	26	32	102	125	8	10.8	21.6	2222K	22222K	H222 H322	HE222 HE322	SR200X13.5 SR200X10	2 1
SN524	110	4 1/4	215	410	120	45	86	140	185	270	350	M24	26	32	113	135	8	10.7	29.1	2224K	2224K	H3124 H324	HE3124 HE2324	SR215X14 SR215X10	2 1
SN526	115	4 1/2	230	445	130	50	90	150	190	290	380	M24	28	36	118	140	8	10.7	32	2226K	2226K	H3126 H326	HE3126 HE2326	SR230X13 SR230X10	2 1
SN528	125	5	250	500	150	50	98	150	205	305	420	M30	33	42	128	154	9	12.2	40	2228K	2228K	H3128 H328	HE3128 HE2328	SR250X15 SR250X10	2 1
SN530	135	5 1/4	270	530	160	60	106	160	220	325	450	M30	33	42	138	164	9	12.2	49.3	2230K	2230K	H3130 H330	HE3130 HE2330	SR270X16.5 SR270X10	2 1
SN532	140	5 1/2	290	550	160	60	114	170	235	345	470	M30	33	42	143	173	10	13.7	56.5	2232K	2232K	H3132 H332	HE3132 HE2332	SR290X17 SR290X10	2 1

**Plummer Blocks**  
 Plummer Blocks SN500



# LDK® Plummer Blocks

## Plummer Blocks SNU500

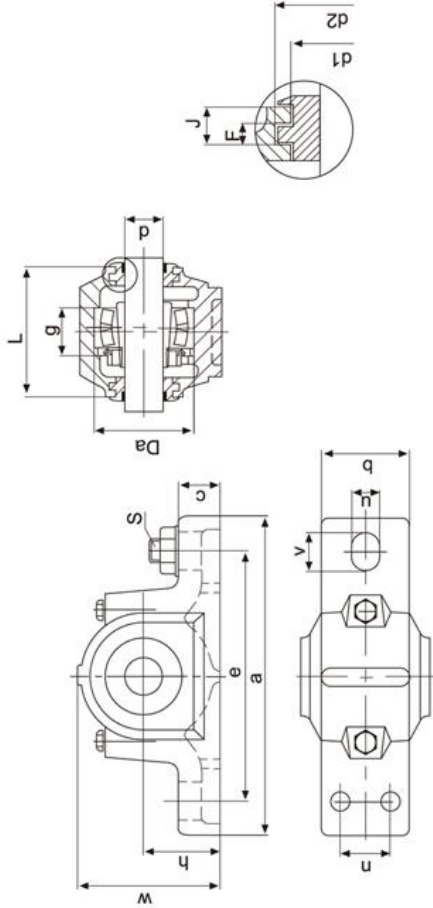


Nousing No.	Shaft	Dimensions (mm)														Bolt Dia		Wt Kg	Bearing No	Adapter	Spacer Ring	
		H	H <sub>12</sub>	L	J	A	N	N <sub>1</sub>	H <sub>1</sub>	H <sub>0</sub>	A <sub>1</sub>	J	C	D <sub>3</sub>	H <sub>8</sub>	(2)	(4)				SIZE	QTY
SNU505	20	40	165	130	46	13	20	19	71	67	25	52	M10	M10	1.9	1205K	H205	52X5	2			
SNU506	25	50	185	150	52	13	22	22	87	72	32	62	M10	M10	2.2	1206K	H206	62X5	2			
SNU507	30	50	185	150	52	13	20	22	92	82	34	72	M10	M10	2.6	1207K 22207K	H207 H307	72X8.5 72X5.5	2			
SNU508	35	60	205	170	60	15	20	25	106	85	39	80	M12	M12	3.2	1208K 22208K	H208 H308	80X10.5 80X8	2			
SNU509	40	60	205	170	60	15	20	25	109	85	30	85	M12	M12	3.6	1209K 22209K	H209 H309	85X5.5 85X7	2			
SNU510	45	60	205	170	60	15	20	25	112	90	41	90	M12	M12	3.9	1210K 22210K	H210 H310	90X10.5 90X9	2			
SNU511	50	70	255	210	70	18	23	28	127	95	44	100	M16	M12	5.2	1211K 22211K	H211 H311	100X11.5 100X9.5	2			
SNU512	55	70	255	210	70	18	23	30	133	105	48	110	M16	M12	6.7	1212K 22212K	H212 H312	110X13 110X10	2			
SNU513	60	80	275	230	80	18	24	30	148	110	51	120	M16	M12	7.9	1213K 22213K	H213 H313	120X14 120X10	2			
SNU515	65	80	280	230	80	18	26	30	154	115	56	130	M16	M12	8.6	1215K 22215K	H215 H315	130X15.5 130X12.5	2			
SNU516	70	95	315	260	90	22	29	32	175	120	58	140	M20	M12	11.0	1216K 22216K	H216 H316	140X16 140X12.5	2			
SNU517	75	95	320	260	90	22	30	32	181	125	61	150	M20	M12	12.0	1217K 22217K	H217 H317	150X16.5 150X12.5	2			
SNU518	80	100	345	290	100	22	27	35	192	140	65	160	M20	M16	15.0	1218K 22218K	H218 H318	160X17.5 160X12.5	2			
SNU519	85	112	345	290	100	22	27	35	209	145	68	170	M20	M16	16.0	1219K 22219K	H219 H319	170X18 170X12.5	2			
SNU520	90	112	380	320	110	26	32	40	215	160	70	180	M24	M16	18.0	1220K 22220K	H220 H320	180X18 180X12	2			
SNU522	100	125	410	350	120	26	32	45	239	175	80	200	M24	M16	28.0	1222K 22222K	H222 H322	200X21 200X13.5	2			
SNU524	110	140	410	350	120	26	32	45	271	185	86	215	M24	M16	36.0	1224K 22224K	H224 H324	215X14 215X10	2			
SNU526	115	150	445	380	130	28	35	50	290	190	90	230	M24	M20	47.0	1226K 22226K	H226 H326	230X13 230X10	2			
SNU528	125	150	500	420	150	35	42	50	302	205	98	250	M30	M24	49.0	1228K 22228K	H228 H328	250X15 250X10	2			
SNU530	135	160	530	450	160	35	42	60	323	220	106	270	M30	M24	57.0	1230K 22230K	H230 H330	270X16.5 270X10	2			
SNU532	140	170	550	470	160	35	42	60	344	235	114	280	M30	M24	64.0	1232K 22232K	H232 H332	290X17 290X10	2			



# Plummer Blocks **LDK**<sup>®</sup>

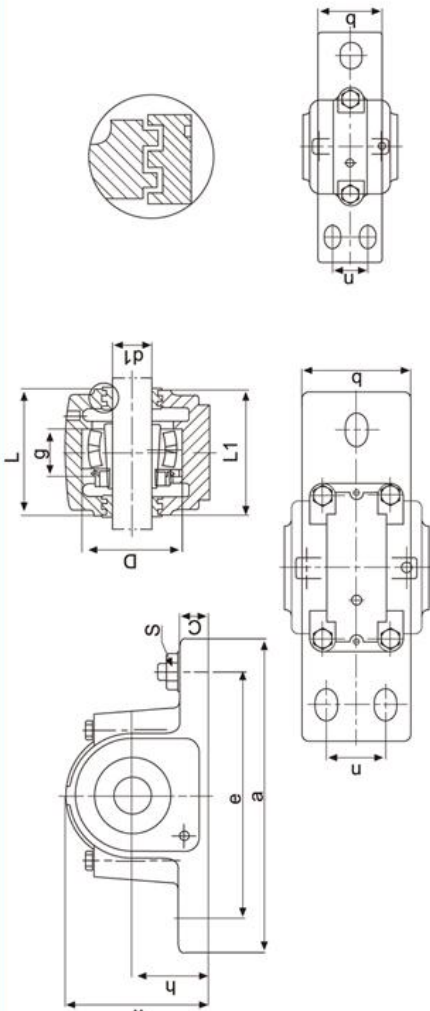
## Plummer Blocks SNG500



Housing No.	Shaft dia.	Dimensions (mm)																Housing		Bearing No	Adapter Sleeve	Locating Ring	
		H <sub>H12</sub>	a	e	b	u	v	c	w	L	d <sub>1</sub> <sub>H12</sub>	d <sub>2</sub> <sub>H12</sub>	n	J	F	g <sub>H12</sub>	Da <sub>H8</sub>	S	(2)			(4)	Wt Kg
SNG507-606	30	50	185	150	52	13	20	22	92	82	46.5	54.5	7.5	5	34	72	M10		1207K	H207	SR72x8.5	2	
SNG508-607	35	60	205	170	60	15	20	25	106	85	51.5	59.5	7.5	5	39	80	M12		22207K	H307	SR72x8.5	2	
SNG509	40	60	205	170	60	15	20	25	109	85	56.9	64.9	8.5	5	30	85	M12		1208K	H208	SR80x8	2	
SNG510-608	45	60	205	170	60	15	20	25	112	90	62	70.5	8.5	5	41	90	M12		22208K	H308	SR85x5.5	2	
SNG511-609	50	70	255	210	70	18	23	28	127	95	67	75.5	35	5	44	100	M16		1209K	H209	SR85x7	1	
SNG512-610	55	70	255	210	70	18	23	30	133	105	72	80.5	35	5	48	110	M16	M12	22209K	H309	SR90x9	2	
SNG513-611	60	80	275	230	80	18	24	30	148	110	77	85.5	35	5	51	120	M16	M12	1210K	H210	SR100x9.5	2	
SNG515-612	65	80	280	230	80	18	26	32	154	115	87	95.5	40	5	56	130	M16	M12	22210K	H310	SR100x9.5	2	
SNG516-613	70	95	315	260	90	22	29	32	175	120	92.5	101	40	5	58	140	M20	M12	1211K	H211	SR120x11.5	2	
SNG517	75	95	320	260	90	22	30	35	181	125	97.5	106	50	5	61	150	M20	M12	22211K	H311	SR120x11.5	2	
SNG518-615	80	100	345	290	100	22	27	35	192	140	102.5	111	50	5	65	160	M20	M16	1212K	H212	SR130x12.5	2	
SNG519-616	85	112	345	290	100	22	27	40	209	145	131	141	50	6	68	170	M20	M16	22212K	H312	SR130x12.5	2	
SNG520-617	90	112	380	320	110	26	32	45	215	160	137.5	147.5	60	6	70	180	M24	M16	1213K	H213	SR140x12.5	2	
SNG522-619	100	125	410	350	120	26	32	45	239	175	147.5	157.5	70	6	80	200	M24	M16	22213K	H313	SR140x12.5	2	
SNG524-620	110	140	410	350	120	26	32	45	271	185	157.5	167.5	70	6	86	215	M24	M16	1215K	H215	SR150x12.5	2	
SNG526	115	150	445	380	130	28	35	50	290	190	167.5	177.5	70	13	90	230	M24	M20	22215K	H315	SR150x12.5	2	
SNG528	125	150	500	420	150	35	42	50	302	205	177.5	187.5	80	13	98	250	M30	M24	22216K	H316	SR160x12.5	2	
SNG530	135	160	530	450	160	35	42	60	323	220	192.5	202.5	90	13.5	106	270	M30	M24	22217K	H317	SR160x12.5	2	
SNG532	140	170	550	470	160	35	42	60	344	235	202.5	212.5	90	13.5	114	290	M30	M24	1218K	H218	SR170x12.5	2	
																				22218K	H318	SR170x12.5	2
																				23218K	H219	SR170x12.5	1
																				22219K	H319	SR170x12.5	2
																				1220K	H220	SR180x12.5	2
																				22220K	H320	SR180x12.5	2
																				23220K	H220	SR180x12.5	2
																				1222K	H222	SR200x21	1
																				22222K	H322	SR200x10.2	2
																				23222K	H222	SR200x10.2	1
																				22224K	H324	SR215x14	2
																				23224K	H224	SR215x14	2
																				22226K	H326	SR230x13	2
																				23226K	H226	SR230x13	2
																				22228K	H328	SR250x15	2
																				23228K	H228	SR250x15	2
																				22230K	H330	SR270x16.5	2
																				23230K	H230	SR270x16.5	2
																				22232K	H332	SR290x17	1
																				23232K	H232	SR290x17	1

# LDK<sup>®</sup> Plummer Blocks

## Plummer Blocks SAF500

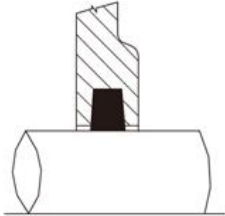


Housing No.	Shaft dia.	Dimensions (mm)													Housing Wt Kg		Bearing No	Adapter Sleeve	Locating Ring	
		D	g	h	w	L	L1	a	b	c	e	e	e	n	S	(2)			(4)	Number
SAF505	3/4	52	25	38.1	75	70	73	165	45	18	139.7	118		M12			1.8	HA205	FR52x5	2
SAF506	15/16	62	30	44.5	86	78	83	191	51	18	155	133		M12			2.2	HA305	FR52x7	2
SAF507	1-3/16	72	33	50.8	97	81	83	191	51	21	156	143		M12			2.7	HA206	FR62x10	2
SAF509	1-7/16	85	31	57.2	111	87	92	210	61	21	178	159		M12			3.9	HA207	FR72x8	2
SAF510	1-11/16	90	33	63.5	121	87	99	210	61	24	178	165		M12			4.3	HA209	FR85x6	2
SAF511	1-15/16	100	33	69.9	133	95	114	245	70	24	200	188		M16			5	HA209K	FR90x6.5	2
SAF513	2-3/16	120	41	76.2	151	108	114	279	80	25	241	206		M16	M12		7.7	HA310	FR90x10	2
FSAF513	2-3/16	120	41	76.2	151	108	114	279	80	25	241	206		M16	M12		7.7	HA310	FR90x10	2
SAF515	2-7/16	130	41	82.6	162	118	121	286	80	29	245	219		M16	M12		8.7	HA311	FR100x6	2
FSAF515	2-7/16	130	41	82.6	162	118	121	286	80	29	245	219		M16	M12		8.7	HA311	FR100x6	2
SAF516	2-11/16	140	43	88.9	175	121	124	330	89	30	279	245		M20	M16		11.6	HA312	FR100x8	2
FSAF516	2-11/16	140	43	88.9	175	121	124	330	89	30	279	245		M20	M16		11.6	HA312	FR100x8	2
SAF517	2-15/16	150	46	95.3	186	122	127	330	89	32	279	251		M20	M16		12.3	HA313	FR120x10	2
FSAF517	2-15/16	150	46	95.3	186	122	127	330	89	32	279	251		M20	M16		12.3	HA313	FR120x10	2
SAF518	3-3/16	160	50	101.6	197	140	146	349	99	33	295	264		M20	M16		15.4	HA314	FR120x10	2
FSAF518	3-3/16	160	50	101.6	197	140	146	349	99	33	295	264		M20	M16		15.4	HA314	FR120x10	2
SAF520	3-7/16	180	58	114.3	222	148	152	387	111	45	333	295		M24	M20		27.3	HA315	FR130x8	2
FSAF520	3-7/16	180	58	114.3	222	148	152	387	111	45	333	295		M24	M20		27.3	HA315	FR130x8	2
SAF522	3-15/16	200	63	125.4	245	164	165	419	121	51	368	321		M20	M20		35	HA316	FR140x6.5	2
SAF524	4-3/16	215	68	133.4	260	181	188	419	121	54	368	337		M20	M20		43.2	HA316	FR140x6.5	2
FSAF524	4-3/16	215	68	133.4	260	181	188	419	121	54	368	337		M20	M20		43.2	HA316	FR140x6.5	2
SAF526	4-7/16	230	74	152.4	292	197	203	467	130	61	406	372		M24	M24		58.6	HA317	FR150x10	2
FSAF526	4-7/16	230	74	152.4	292	197	203	467	130	61	406	372		M24	M24		58.6	HA317	FR150x10	2
SAF528	5-1/16	250	78	160.4	318	207	213	540	159	64	464	432		M24	M24		76.8	HA318	FR160x10	2
FSAF528	5-1/16	250	78	160.4	318	207	213	540	159	64	464	432		M24	M24		76.8	HA318	FR160x10	2
SAF530	5-3/16	270	83	169.9	348	216	222	589	159	67	489	442		M24	M24		81.3	HA319	FR180x11	2
FSAF530	5-3/16	270	83	169.9	348	216	222	589	159	67	489	442		M24	M24		81.3	HA319	FR180x11	2
SAF532	5-7/16	290	90	179.4	380	235	245	639	172	70	549	492		M30	M24		104.5	HA320	FR180x10	2
FSAF532	5-7/16	290	90	179.4	380	235	245	639	172	70	549	492		M30	M24		104.5	HA320	FR180x10	2
SAF534	5-15/16	310	96	190.5	410	245	254	690	181	76	600	530		M30	M30		117.6	HA321	FR200x10	2
FSAF534	5-15/16	310	96	190.5	410	245	254	690	181	76	600	530		M30	M30		117.6	HA321	FR200x10	2
SAF536	6-1/16	340	102	200	438	267	273	711	191	80	619	549		M30	M30		135	HA322	FR200x12.5	2
FSAF536	6-1/16	340	102	200	438	267	273	711	191	80	619	549		M30	M30		135	HA322	FR200x12.5	2
SAF538	6-3/16	360	108	209.6	473	279	286	749	203	86	635	572		M30	M30		161.5	HA322	FR200x10	2
FSAF538	6-3/16	360	108	209.6	473	279	286	749	203	86	635	572		M30	M30		161.5	HA322	FR200x10	2
SAF540	7-1/16	400	118	241.3	519	298	305	832	222	95	708	629		M30	M30		230.2	HA322	FR200x10	2
FSAF540	7-1/16	400	118	241.3	519	298	305	832	222	95	708	629		M30	M30		230.2	HA322	FR200x10	2

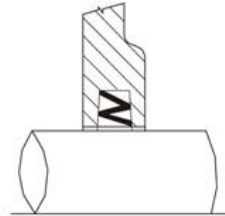


# Plummer Blocks **LDK**<sup>®</sup>

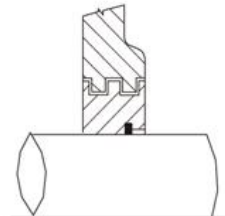
## Sealing options



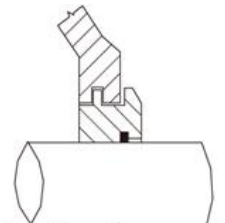
FELT SEALING



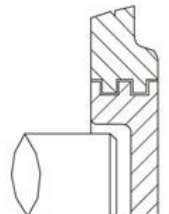
ZF SEALING



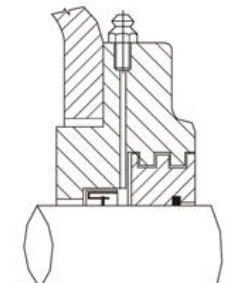
TS SEALING



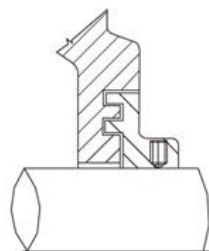
TSU SEALING



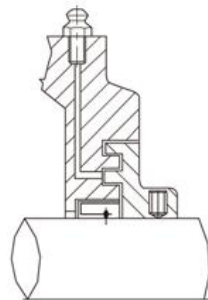
TSA SEALING



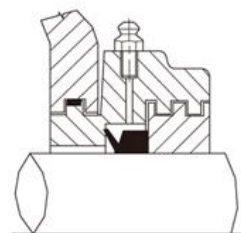
TAC TACONITE SEALING



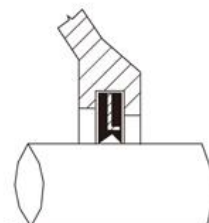
LS SEALING



LS TACONITE SEALING



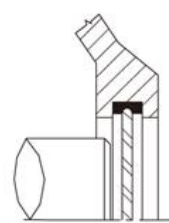
TST TACONITE SEALING



U-LOCK SEALING



TA SEALING



ASNA END PLATE