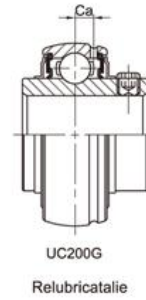
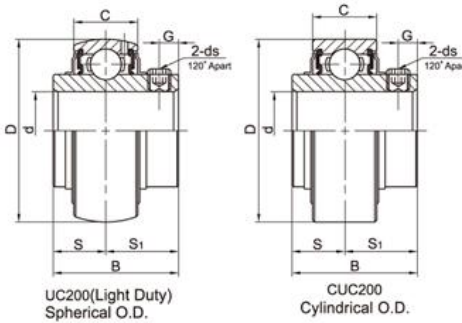


LDK[®] Bearing Inserts

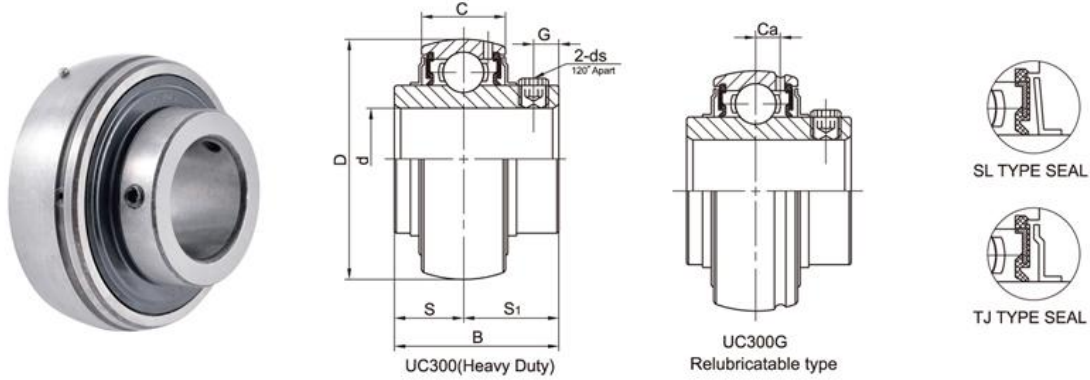
UC/UC..L3/CUC Standard duty, Wider inner ring, Setscrew locking



Bearing No.	Shaft Dia		Dimensions(mm)							Basic dynamic Load ratings (KN)	Basic static Load ratings (KN)	Weight (kg)		
	d		D	B	C	S	S1	G	ds				Ca	
	(in)	(mm)							(mm)					(in.UNF)
UCW201 201-8	1/2	12	40	27.4	14	11.5	15.9	4.2	M5x0.8	10-32	4.1	9.55	4.78	0.12
UCW202 202-9 202-10	9/16 5/8	15	40	27.4	14	11.5	15.9	4.2	M5x0.8	10-32	4.1	9.55	4.78	0.11
UCW203 203-11	11/16	17	40	27.4	14	11.5	15.9	4.2	M5x0.8	10-32	4.1	9.55	4.78	0.10
UC201 201-8	1/2	12	47	31	17	12.7	18.3	5	M6x1	1/4-28	4.3	12.82	6.65	0.21
UC202 202-9 202-10	9/16 5/8	15	47	31	17	12.7	18.3	5	M6x1	1/4-28	4.3	12.82	6.65	0.19
UC203 203-11	11/16	17	47	31	17	12.7	18.3	5	M6x1	1/4-28	4.3	12.82	6.65	0.18 0.19
UC204 204-12	3/4	20	47	31	17	12.7	18.3	5	M6x1	1/4-28	4.3	12.82	6.65	0.17 0.18
UC205 205-13 205-14 205-15 205-16	13/16 7/8 15/16 1	25	52	34.1	17	14.3	19.8	5.4	M6x1	1/4-28	4	14.03	8.05	0.19 0.22 0.21 0.20 0.19
UC206 206-17 206-18 206-19 206-20	1-1/16 1-1/8 1-3/16 1-1/4	30	62	38.1	19	15.9	22.2	5.5	M6x1	1/4-28	5.3	19.47	11.43	0.31 0.34 0.33 0.32 0.30
UC207 207-20 207-21 207-22 207-23	1-1/4 1-5/16 1-3/8 1-7/16	35	72	42.9	20	17.5	25.4	6.9	M8x1	5/16-24	5.8	25.69	15.55	0.46 0.52 0.51 0.48 0.46
UC208 208-24 208-25	1-1/2 1-9/16	40	80	49.2	21	19.0	30.2	8	M8x1	5/16-24	6.2	29.51	18.14	0.63 0.68 0.64
UC209 209-26 209-27 209-28	1-5/8 1-11/16 1-3/4	45	85	49.2	22	19.0	30.2	8	M8x1	5/16-24	6.5	31.85	20.8	0.68 0.78 0.74 0.70
UC210 210-30 210-31 210-32	1-7/8 1-15/16 2	50	90	51.6	24	19.0	32.6	10	M10x1.25	3/8-24	7	34.99	23.7	0.78 0.85 0.80 0.78
UC211 211-32 211-33 211-34 211-35	2 2-1/16 2-1/8 2-3/16	55	100	55.6	25	22.2	33.4	10	M10x1.25	3/8-24	7.4	43.34	29.39	1.07 1.22 1.16 1.10 1.05
UC212 212-36 212-37 212-38 212-39	2-1/4 2-5/16 2-3/8 2-7/16	60	110	65.1	27	25.4	39.7	10	M10x1.25	3/8-24	7.6	47.68	33.43	1.51 1.65 1.59 1.52 1.42
UC213 213-39 213-40	2-7/16 2-1/2	65	120	65.1	28	25.4	39.7	10	M10x1.25	3/8-24	8.5	57.2	40.01	1.86 1.96 1.94
UC214 214-43 214-44	2-11/16 2-3/4	70	125	74.6	29	30.2	44.4	12	M12x1.25	7/16-20	8.9	62.19	43.9	2.18 2.28 2.06
UC215 215-47 215-48	2-15/16 3	75	130	77.8	30	33.3	44.5	12	M12x1.25	7/16-20	9.2	62.08	44.82	2.21 2.30 2.13
UC216 UC217	80 85	80 85	140 150	82.6 85.7	33 35	33.3 34.1	49.3 51.6	12 12	M12x1.25 M12x1.25	7/16-20	9.5 11.1	72.62 83.15	53.34 64.54	2.79 3.38 3.59
UC218 218-56	3-1/2	90	160	96	37	39.7	56.3	12	M12x1.25	7/16-20	11.8	95.84	72.64	4.46 4.56

Bearing Inserts **LDK**[®]

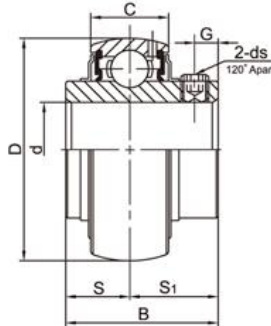
UC300 Heavy duty, Wider inner ring, Setscrew locking



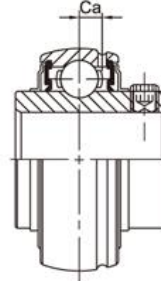
Bearing No.	Shaft Dia		Dimensions (mm)									Basic dynamic Load ratings (KN)	Basic static Load ratings (KN)	Weight (kg)
	d		D	B	C	S	S ₁	G	ds		Ca			
	(in)	(mm)							(mm)	(in.UNF)				
UC305	7/8 15/16 1	25	62	38	21	15	23	6	M6X1	1/4-28	6.4	22.46	11.57	0.44
305-14														
305-15														
305-16														
UC306	1-1/8 1-3/16	30	72	43	23	17	26	6	M6X1	1/4-28	7.1	27.14	15.20	0.56
306-18														
306-19														
UC307	1-1/4 1-5/16 1-3/8	35	80	48	25	19	29	8	M8X1	5/16-24	8	33.53	19.22	0.71
307-20														
307-21														
307-22														
UC308	1-1/2 1-9/16	40	90	52	27	19	33	10	M10X1.25	3/8-24	9	40.96	24.01	1.00
308-24														
308-25														
UC309	1-5/8 1-11/16 1-3/4	45	100	57	30	22	35	10	M10X1.25	3/8-24	9.5	53.33	32.19	1.28
309-26														
309-27														
309-28														
UC310	1-7/8 1-15/16	50	110	61	32	22	39	12	M12X1.25	7/16-20	10.5	62.38	38.32	1.65
310-30														
310-31														
UC311	2 2-1/8 2-3/16	55	120	66	34	25	41	12	M12X1.25	7/16-20	11	72.05	44.97	2.07
311-32														
311-34														
311-35														
UC312	2-1/4 2-3/8 2-7/16	60	130	71	36	26	45	12	M12X1.25	7/16-20	11.5	82.33	52.16	2.59
312-36														
312-38														
312-39														
UC313	2-1/2	65	140	75	38	30	45	12	M12X1.25	7/16-20	12.5	94.54	60.82	3.15
313-40														
UC314	2-3/4	70	150	78	40	33	45	12	M12X1.25	7/16-20	13.2	104.70	68.13	3.83
314-44														
UC315	3	75	160	82	42	32	50	12	M14X1.5	1/2-20	14	113.97	78.66	4.59
315-48														
UC316		80	170	86	44	34	52	14	M14X1.5		14.9	123.46	88.18	5.40
UC317	3-1/4	85	180	96	46	40	56	16	M16X1.5	5/8-18	16	133.16	98.25	6.58
317-52														
UC318	3-1/2	90	190	96	48	40	56	16	M16X1.5	5/8-18	17.3	144.67	110.59	7.34
318-56														
UC319	3-3/4	95	200	103	50	41	62	16	M16X1.5	5/8-18	18.3	156.68	122.07	8.70
319-60														
UC320	4	100	215	108	54	42	66	18	M18X1.5	5/8-18	20	173.14	140.67	10.80
320-64														
UC321		105	225	112	56	44	68	18	M18X1.5		20.8	183.70	153.20	12.20
UC322		110	240	117	60	46	71	18	M18X1.5		20.9	206.80	179.90	14.30
UC324		120	260	126	64	51	75	18	M18X1.5		22.9	228.00	208.60	18.50
UC326		130	280	135	68	54	81	20	M20X1.5		24.9	274.20	273.70	23.00
UC328		140	300	145	72	59	86	20	M20X1.5		26.9	296.90	306.50	28.50

LDK[®] Bearing Inserts

UCX/UCX..L3 Medium duty, Wider inner ring, Setscrew locking



UCX00(Medium Duty)
Spherical O.D.



UCX00G
Relubricatable type



SL TYPE SEAL



TJ TYPE SEAL

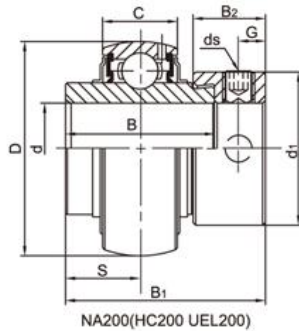


L3 TYPE SEAL

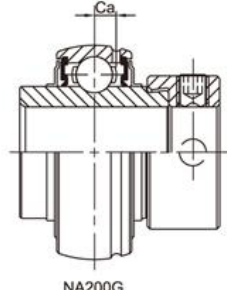
Bearing No.	Shaft Dia		Dimensions (mm)									Basic dynamic Load ratings (KN)	Basic static Load ratings (KN)	Weight (kg)	
	d		D	B	C	S	S ₁	G	ds		Ca				
	(in)	(mm)							(mm)	(in.UNF)					
UCX 05		25								M6X1					
05-13	13/16		62	38.1	19	15.9	22.2	5.5			1/4-28	5.3	19.47	11.43	0.39
05-14	7/8														
05-15	15/16														
05-16	1														
UCX 06		30								M8X1					
06-17	1-1/16		72	42.9	20	17.5	25.4	6.9			5/16-24	5.8	25.69	15.55	0.68
06-18	1-1/8														
06-19	1-3/16														
06-20	1-1/4														
UCX 07		35								M8X1					
07-21	1-5/16		80	49.2	21	19	30.2	8			5/16-24	6.2	29.51	18.14	0.82
07-22	1-3/8														
07-23	1-7/16														
UCX 08		40								M8X1					
08-24	1-1/2		85	49.2	22	19	30.2	8			5/16-24	6.5	31.85	20.80	0.93
08-25	1-9/16														
UCX 09		45								M10X1.25					
09-26	1-5/8		90	51.6	24	19	32.6	10			3/8-24	7	34.99	23.70	1.00
09-27	1-11/16														
09-28	1-3/4														
UCX10		50								M10X1.25					
10-30	1-7/8		100	55.6	25	22.2	33.4	10			3/8-24	7.4	43.34	29.39	1.35
10-31	1-15/16														
UCX11		55								M10X1.25					
11-33	2-1/16		110	65.1	27	25.4	39.7	10			3/8-24	7.6	47.68	33.43	1.90
11-34	2-1/8														
11-35	2-3/16														
11-36	2-1/4														
UCX12		60								M10X1.25					
12-38	2-3/8		120	65.1	28	25.4	39.7	10			3/8-24	8.5	57.20	40.01	2.27
12-39	2-7/16														
UCX13		65								M12X1.25					
13-40	2-1/2		125	74.6	29	30.2	44.4	12			7/16-20	8.9	62.19	43.90	2.45
13-41	2-9/16														
UCX14		70								M12X1.25					
14-42	2-5/8		130	77.8	30	33.3	44.5	12			7/16-20	9.2	62.08	44.82	2.47
14-43	2-11/16														
14-44	2-3/4														
UCX15		75								M12X1.25					
15-45	2-13/16		140	82.6	33	33.3	49.3	12			7/16-20	9.5	72.62	53.34	3.11
15-46	2-7/8														
15-47	2-15/16														
15-48	3														
UCX16		80								M12X1.25					
16-49	3-1/16		150	85.7	35	34.1	51.6	12			7/16-20	11.1	83.15	64.54	3.79
16-50	3-1/8														
16-51	3-3/16														
UCX17		85								M12X1.25					
17-53	3-5/16		160	96	37	39.7	56.3	12			1/2-20	11.8	95.84	72.64	4.82
17-55	3-7/16														

Bearing Inserts **LDK**[®]

NA/NA..L3 Standard duty, Wider inner ring, Eccentric locking



NA200(HC200 UEL200)



NA200G



SL TYPE SEAL



TJ TYPE SEAL

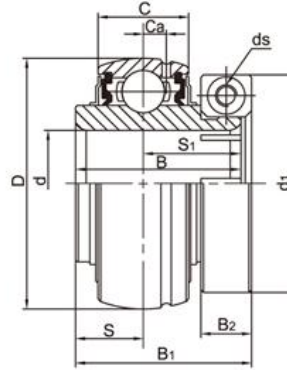
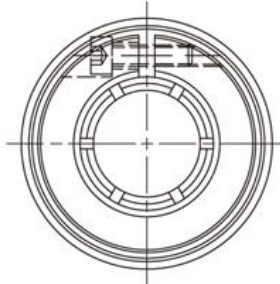


L3 TYPE SEAL

Bearing No.	Shaft Dia		Dimensions(mm)											Basic dynamic Load ratings (KN)	Basic static Load ratings (KN)	Weight (kg)
	d		D	B	C	S	B ₁	B ₂	d ₁	G	ds		Ca			
	(in)	(mm)									(mm)	(in.UNF)				
NA204 204-12	3/4	20	47	34.2	17	17.1	43.7	13.5	33.3	5	M6X1	1/4-28	4.3	12.82	6.65	0.21
NA205 205-14 205-15 205-16	7/8 15/16 1	25	52	34.9	17	17.5	44.4	13.5	38.1	5	M6X1	1/4-28	4	14.03	8.05	0.25
NA206 206-17 206-18 206-19 206-20	1-1/16 1-1/8 1-3/16 1-1/4	30	62	36.5	19	18.3	48.4	15.9	44.5	6	M6X1	1/4-28	5.3	19.47	11.43	0.39
NA207 207-20 207-21 207-22 207-23	1-1/4 1-5/16 1-3/8 1-7/16	35	72	37.6	20	18.8	51.1	17.5	55.6	6.5	M8X1	5/16-24	5.8	25.69	15.55	0.60
NA208 208-24 208-25	1-1/2 1-9/16	40	80	42.8	21	21.4	56.3	18.3	60.3	6.5	M8X1	5/16-24	6.2	29.51	18.14	0.77
NA209 209-26 209-27 209-28	1-5/8 1-11/16 1-3/4	45	85	42.8	22	21.4	56.3	18.3	63.5	6.5	M8X1	5/16-24	6.5	31.85	20.80	0.84
NA210 210-30 210-31 210-32	1-7/8 1-15/16 2	50	90	49.2	24	24.6	62.7	18.3	69.9	6.5	M8X1	5/16-24	7	34.99	23.70	1.02
NA211 211-32 211-33 211-34 211-35	2 2-1/16 2-1/8 2-3/16	55	100	55.5	25	27.80	71.4	20.7	76.2	8	M10X1.25	3/8-24	7.4	43.34	29.39	1.37
NA212 212-36 212-37 212-38 212-39	2-1/4 2-5/16 2-3/8 2-7/16	60	110	61.9	27	31.00	77.8	22.3	84.2	8	M10X1.25	3/8-24	7.6	47.68	33.43	1.85
NA213 213-39 213-40	2-7/16 2-1/2	65	120	68.6	28	34.30	85.7	23.5	86	8.5	M10X1.25	3/8-24	8.5	57.20	40.01	2.10
NA214 214-43 214-44	2-11/16 2-3/4	70	125	68.6	29	34.30	85.7	23.5	90	8.5	M10X1.25	3/8-24	8.9	62.19	43.90	2.34
NA215 215-47 215-48	2-15/16 3	75	130	75	30	37.3	92.1	23.5	102	8.5	M10X1.25	3/8-24	9.2	62.08	44.82	2.50

LDK[®] Bearing Inserts

UE Standard duty, Wider inner ring, Concentric locking



SL TYPE SEAL

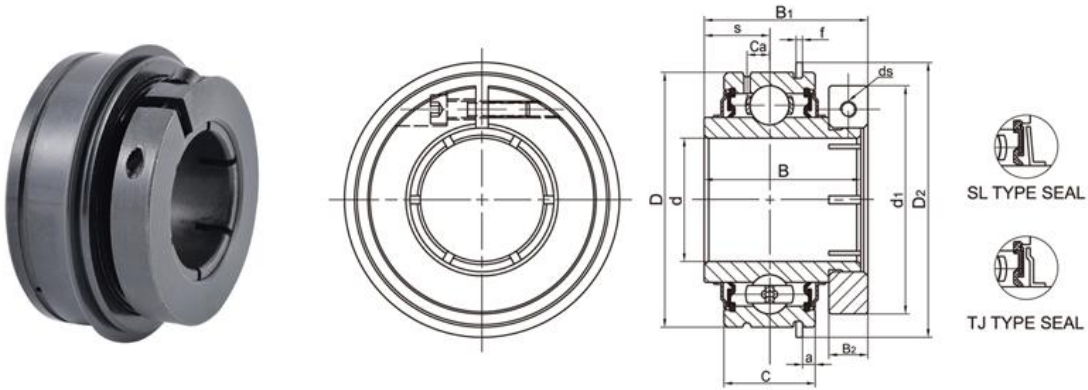


TJ TYPE SEAL

Bearing No.	Shaft Dia		Dimensions (mm)										Load rating (KN)		Weight (kg)
	d		D	B	C	S	S1	B1	B2	d1	ds	Ca	Dynamic Cr	Static Cor	
	(in)	(mm)													
UE204 204-12	3/4	20	47	31	17	12.7	18.3	33.0	9.5	40.8	M4x0.7	4.3	12.82	6.65	0.18
UE205 205-13 205-14 205-15 205-16	13/16 7/8 15/16 1	25	52	34.1	17	14.3	19.8	35.4	9.5	49.0	M4x0.7	4	14.03	8.05	0.21
UE206 206-17 206-18 206-19 206-20	1-1/16 1-1/8 1-3/16 1-1/4	30	62	38.1	19	15.9	22.2	39.8	9.5	55.5	M4x0.7	5.3	19.47	11.43	0.33
UE207 207-20 207-21 207-22 207-23	1-1/4 1-5/16 1-3/8 1-7/16	35	72	42.9	20	17.5	25.4	43.9	11.0	64.0	M5x0.8	5.8	25.69	15.55	0.51
UE208 208-24 208-25	1-1/2 1-9/16	40	80	49.2	21	19.0	30.2	50.2	11.0	68.0	M5x0.8	6.2	29.51	18.14	0.68
UE209 209-26 209-27 209-28	1-5/8 1-11/16 1-3/4	45	85	49.2	22	19.0	30.2	50.2	11.0	74.0	M5x0.8	6.5	31.85	20.80	0.78
UE210 210-30 210-31 210-32	1-7/8 1-15/16 2	50	90	51.6	24	19.0	32.6	52.6	14.5	81.0	M6x1	7	34.99	23.70	0.85
UE211 211-32 211-33 211-34 211-35	2 2-1/16 2-1/8 2-3/16	55	100	55.6	25	22.2	33.4	56.6	14.5	92.0	M6x1	7.4	43.34	29.39	1.16
UE212 212-36 212-37 212-38 212-39	2-1/4 2-5/16 2-3/8 2-7/16	60	110	65.1	27	25.4	39.7	66.6	17.5	103.0	M8x1.25	7.6	47.68	33.43	1.59

Bearing Inserts **LDK**[®]

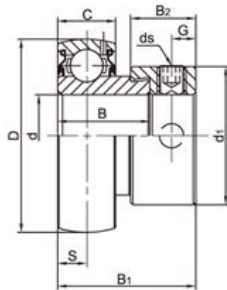
UER Standard duty, With cylindrical outer ring and snap ring, Concentric locking



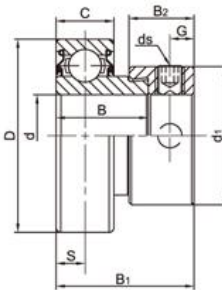
Bearing No.	Shaft Dia		Dimensions (mm)												Load rating (KN)		Weight kg
	d		D	B	C	S	B1	B2	a	f	D2 (max)	d1	ds	Ca	Dynamic	Static	
	(in)	(mm)															
UER204		20	47	31	15.9	10.3	33	9.5	2.38	1.07	52.7	40.8	M4	4.05	12.82	6.65	0.22
204-12	3/4																
UER205		25	52	34.9	19	13.1	35.4	9.5	2.38	1.07	57.9	49	M4	5.5	14.03	8.05	0.28
205-13	13/16																
205-14	7/8																
205-15	15/16																
205-16	1																
UER206		30	62	38.1	22.2	15.9	39.8	9.5	3.18	1.65	67.7	55.5	M4	5.5	19.47	11.43	0.38
206-17	1-1/16																
206-18	1-1/8																
206-19	1-3/16																
206-20	1-1/4																
UER207		35	72	42.9	23.8	17.5	43.9	11	3.18	1.65	78.6	64	M5	6.3	25.69	15.55	0.56
207-20	1-1/4																
207-21	1-5/16																
207-22	1-3/8																
207-23	1-7/16																
UER208		40	80	49.2	27.8	19	50.2	11	3.18	1.65	86.6	68	M5	7.5	29.51	18.14	0.87
208-24	1-1/2																
208-25	1-9/16																
UER209		45	85	49.2	27.8	19	50.2	11	3.18	1.65	91.6	74	M5	7.5	31.85	20.80	0.95
209-26	1-5/8																
209-27	1-11/16																
209-28	1-3/4																
UER210		50	90	51.6	28.6	19	52.6	14.5	3.18	2.41	96.5	81	M6	6.8	34.99	23.70	1.03
210-30	1-7/8																
210-31	1-15/16																
210-32	2																
UER211		55	100	55.6	30.2	22.2	55.6	14.5	3.18	2.41	106.5	92	M6	7.6	43.34	29.39	1.21
211-32	2																
211-33	2-1/16																
211-34	2-1/8																
211-35	2-3/16																
UER212		60	110	65.1	31.8	25.4	66.6	17.4	3.18	2.41	116.6	103	M8	8.4	47.68	33.43	1.68
212-36	2-1/4																
212-37	2-5/16																
212-38	2-3/8																
212-39	2-7/16																

LDK[®] Bearing Inserts

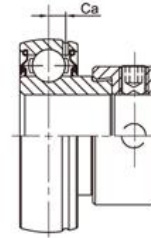
SA/CSA Standard duty, Narrow inner ring, Eccentric locking



SA200(Light Duty)
Spherical O.D.



CSA200
Cylindrical O.D.



SA200G
Relubricatable type



H TYPE SEAL



J TYPE SEAL

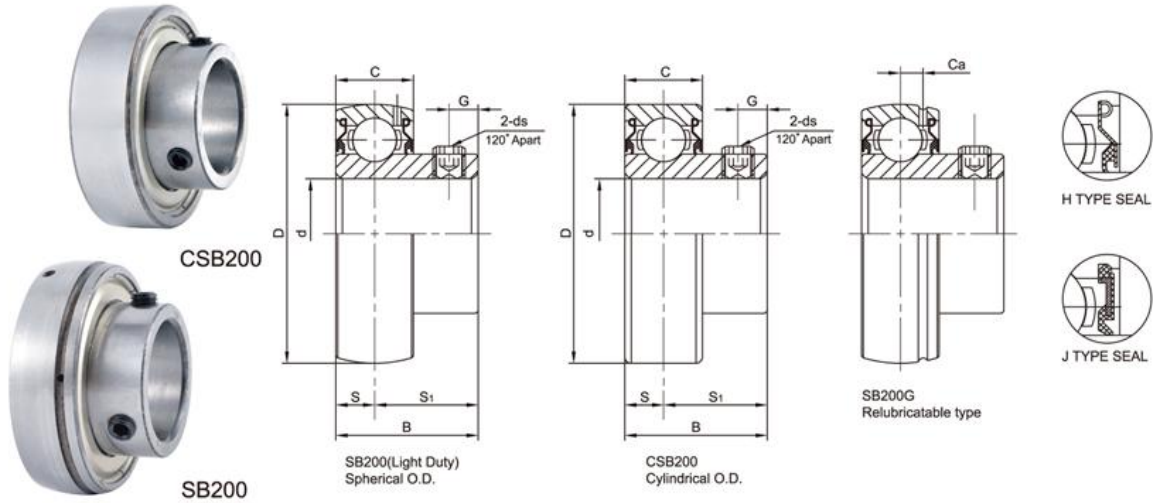
Bearing No.	Shaft Dia		Dimensions(mm)										Basic load ratings (KN)		Weight (kg)	
	d		D	B	C	S	B ₁	B ₂	d ₁	G	ds		Ca	Dynamic Cr		Static Cor
	(in)	(mm)									(mm)	(in,UNF)				
SA 201 201-8	1/2	12	40	19.1	12	6	28.6	13.5	28.6	5	M6x1	1/4-28	3.5	9.55	4.78	0.2
SA 202 202-9 202-10	9/16 5/8	15	40	19.1	12	6	28.6	13.5	28.6	5	M6x1	1/4-28	3.5	9.55	4.78	0.2
SA 203 203-11	11/16	17	40	19.1	12	6	28.6	13.5	28.6	5	M6x1	1/4-28	3.5	9.55	4.78	0.2
SA 204 204-12	3/4	20	47	21.5	14	7	31	13.5	33.3	5	M6x1	1/4-28	4	12.82	6.65	0.21
SA 205 205-13 205-14 205-15 205-16	13/16 7/8 15/16 1	25	52	22	15	7.5	31.5	13.5	38.1	5	M6x1	1/4-28	4.3	14.03	8.05	0.25
SA 206 206-17 206-18 206-19 206-20	1-1/16 1-1/8 1-3/16 1-1/4	30	62	23.8	16	8	35.7	15.9	44.5	6	M6x1	1/4-28	4.9	19.47	11.43	0.39
SA 207 207-20 207-21 207-22 207-23	1-1/4 1-5/16 1-3/8 1-7/16	35	72	25.4	17	8.5	38.9	17.5	55.6	6.5	M8x1	5/16-24	5.5	25.69	15.55	0.6
SA 208 208-24 208-25	1-1/2 1-9/16	40	80	30.2	18	9	43.7	18.3	60.3	6.5	M8x1	5/16-24	6	29.51	18.14	0.77
SA 209 209-26 209-27 209-28	1-5/8 1-11/16 1-3/4	45	85	30.2	19	9.5	43.7	18.3	63.5	6.5	M8x1	5/16-24	6.1	31.85	20.80	0.84
SA 210 210-30 210-31 210-32	1-7/8 1-15/16 2	50	90	30.2	20	10	43.7	18.3	69.9	6.5	M8x1	5/16-24	6.6	34.99	23.70	1.02
SA 211 211-32 211-33 211-34 211-35	2 2-1/16 2-1/8 2-3/16	55	100	32.5	21	10.5	48.4	20.7	76.2	8	M10x1.25	3/8-24	7.2	43.34	29.39	1.37
SA 212 212-36 212-37 212-38 212-39	2-1/4 2-5/16 2-3/8 2-7/16	60	110	37.2	22	11	53.1	22.3	84.2	8	M10x1.25	3/8-24	7.5	47.68	33.43	1.85

1) Suffix G = Lubrication groove and holes on outer rings.

2) Suffix N = Non-lubrication type, without lubrication groove & holes, without anti-rotation pin and holes.

Bearing Inserts **LDK**[®]

SB/CSB Standard duty, Narrow inner ring, Setscrew locking



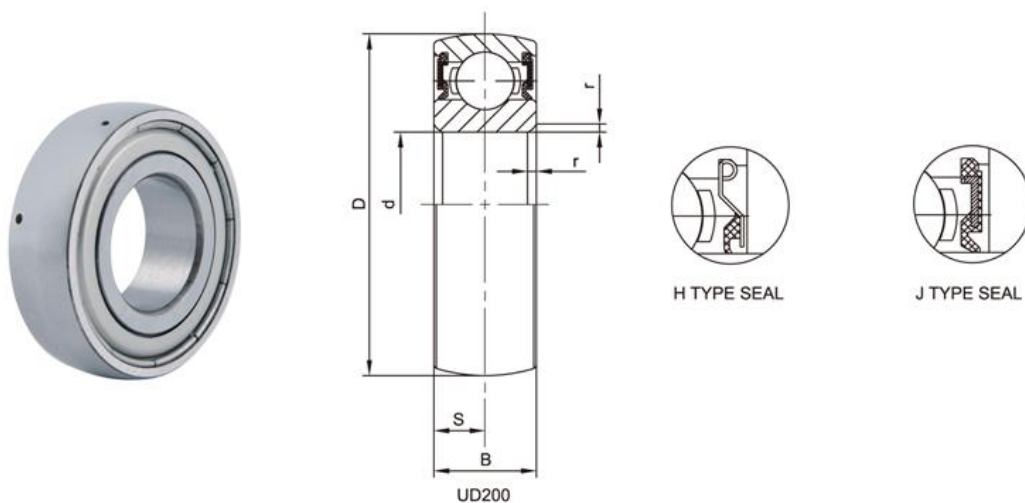
Bearing No.	Shaft Dia		Dimensions(mm)									Basic load ratings (KN)		Weight (kg)
	d		D	B	C	S	S ₁	G	ds		Ca	Dynamic Cr	Static Cor	
	(in)	(mm)							(mm)	(in.UNF)				
SB 201 201-8	1/2	12	40	22	12	6.0	16.0	4.9	M5x0.8	10-32	3.5	9.55	4.78	0.09
SB 202 202-9 202-10	9/16 5/8	15	40	22	12	6.0	16.0	4.9	M5x0.8	10-32	3.5	9.55	4.78	0.08
SB 203 203-11	11/16	17	40	22	12	6.0	16.0	4.9	M5x0.8	10-32	3.5	9.55	4.78	0.07
SB 204 204-12	3/4	20	47	25	14	7.0	18.0	5.0	M6x1	1/4-28	4	12.82	6.65	0.12
SB 205 205-13 205-14 205-15 205-16	13/16 7/8 15/16 1	25	52	27	15	7.5	19.5	5.5	M6x1	1/4-28	4.3	14.03	8.05	0.18
SB 206 206-17 206-18 206-19 206-20	1-1/16 1-1/8 1-3/16 1-1/4	30	62	30	16	8.0	22.0	5.9	M6x1	1/4-28	4.9	19.47	11.43	0.26
SB 207 207-20 207-21 207-22 207-23	1-1/4 1-5/16 1-3/8 1-7/16	35	72	32	17	8.5	23.5	8.0	M8x1	5/16-24	5.5	25.69	15.55	0.43
SB 208 208-24 208-25	1-1/2 1-9/16	40	80	34	18	9	25.0	8.0	M8x1	5/16-24	6.0	29.51	18.14	0.60
SB 209 209-26 209-27 209-28	1-5/8 1-11/16 1-3/4	45	85	36	19	9.5	26.5	8.0	M8x1	5/16-24	6.1	31.85	20.80	0.80
SB 210 210-30 210-31 210-32	1-7/8 1-15/16 2	50	90	38	20	10	28	10.0	M10x1.25	3/8-24	6.6	34.99	23.70	0.83
SB 211 211-32 211-33 211-34 211-35	2 2-1/16 2-1/8 2-3/16	55□	100	40	21	10.5	29.5	10.0	M10x1.25	3/8-24	7.2	43.34	29.39	1.12
SB 212 212-36 212-37 212-38 212-39	2-1/4 2-5/16 2-3/8 2-7/16	60□	110	42	22	11	31	10.0	M10x1.25	3/8-24	7.5	47.68	33.43	1.55

1) Suffix G = Lubrication groove and holes on outer rings.

2) Suffix N = Non-lubrication type, without lubrication groove & holes, without anti-rotation pin and holes.

LDK[®] Bearing Inserts

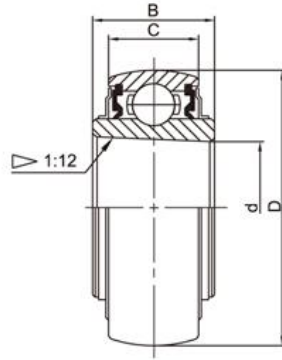
UD Standard duty, Flush back on both sides.



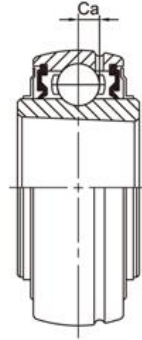
Bearing No.	Dimensions(mm)					Basic load ratings (KN)		Weight (kg)
	d	D	B	S	r	Dynamic Cr	Static Cor	
UD203	17	40	12	6.0	1.0	9.55	4.78	0.07
UD204	20	47	14	7.0	1.5	12.82	6.65	0.12
UD205	25	52	15	7.5	1.5	14.03	8.05	0.18
UD206	30	62	16	8.0	1.5	19.47	11.43	0.26
UD207	35	72	17	8.5	2.0	25.69	15.55	0.43
UD208	40	80	18	9.0	2.0	29.51	18.14	0.60
UD209	45	85	19	9.5	2.0	31.85	20.80	0.8
UD210	50	90	20	10.0	2.0	34.99	23.70	0.83
UD211	55	100	21	10.5	2.0	43.34	29.39	1.12
UD212	60	110	22	11	2.0	47.68	33.43	1.55

Bearing Inserts **LDK**[®]

UK Standard duty, Tapered bore, Adapter sleeve locking



UK200



UK200G
Relubricatable type



SL TYPE SEAL

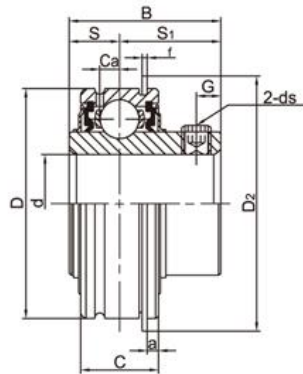


TJ TYPE SEAL

Bearing No.	Dimensions(mm)						Basic Load Rating (KN)		Weight (kg)
	d1	d	D	B	C	Ca	Dynamic Cr	Static Cor	
UK205	20	25	52	23	17	4	14.03	8.05	0.21
UK206	25	30	62	26	19	5.3	19.47	11.43	0.31
UK207	30	35	72	28	20	5.8	25.69	15.55	0.46
UK208	35	40	80	29	21	6.2	29.51	18.14	0.63
UK209	40	45	85	30	22	6.5	31.85	20.80	0.68
UK210	45	50	90	32	24	7	34.99	23.70	0.78
UK211	50	55	100	36	25	7.4	43.34	29.39	1.07
UK212	55	60	110	38	27	7.6	47.68	33.43	1.51
UK213	60	65	120	40	28	8.5	57.20	40.01	1.86
UK215	65	75	130	43	30	9.2	62.08	44.82	2.21
UK216	70	80	140	45	33	9.5	72.62	53.34	2.79
UK217	75	85	150	46	35	11.1	83.15	64.54	3.38
UK218	80	90	160	47	37	11.8	95.84	72.64	4.46

LDK[®] Bearing Inserts

SER Standard duty, With cylindrical outer ring and snap ring, Setscrew locking



SL TYPE SEAL



TJ TYPE SEAL

Bearing No.	Shaft Dia		Dimensions (mm)											Basic Load Rating KN		Weight (kg)	
	d		D	B	C	S	S ₁	a	r	D ₂ (Max.)	G	ds		Ca	Dynamic Cr		Static Cor
	(in)	(mm)										(mm)	(in.UNF)				
SER 201 201-8	1/2	12	47	31	15.9	10.3	20.7	2.38	1.07	52.7	5	M6X1	1/4-28	4.05	9.55	4.78	0.27
SER 202 202-9 202-10	9/16 5/8	15	47	31	15.9	10.3	20.7	2.38	1.07	52.7	5	M6X1	1/4-28	4.05	9.55	4.78	0.25
SER 203 203-11	11/16	17	47	31	15.9	10.3	20.7	2.38	1.07	52.7	5	M6X1	1/4-28	4.05	9.55	4.78	0.23
SER 204 204-12	3/4	20	47	31	15.9	10.3	20.7	2.38	1.07	52.7	5	M6X1	1/4-28	4.05	12.82	6.65	0.22
SER 205 205-13 205-14 205-15 205-16	13/16 7/8 15/16 1	25	52	34.9	19	13.1	21.8	2.38	1.07	57.9	5.3	M6X1	1/4-28	5.5	14.03	8.05	0.28
SER 206 206-17 206-18 206-19 206-20	1-1/16 1-1/8 1-3/16 1-1/4	30	62	38.1	22.2	15.9	22.2	3.18	1.65	67.7	5.5	M6X1	1/4-28	5.5	19.47	11.43	0.38
SER 207 207-20 207-21 207-22 207-23	1-1/4 1-5/16 1-3/8 1-7/16	35	72	42.9	23.8	17.5	25.4	3.18	1.65	78.6	6.4	M8X1	5/16-24	6.3	25.69	15.55	0.56
SER 208 208-24 208-25	1-1/2 1-9/16	40	80	49.2	27.8	19	30.2	3.18	1.65	86.6	8	M8X1	5/16-24	7.5	29.51	18.14	0.87
SER 209 209-26 209-27 209-28	1-5/8 1-11/16 1-3/4	45	85	49.2	27.8	19	30.2	3.18	1.65	91.6	8	M8X1	5/16-24	7.5	31.85	20.80	0.95
SER 210 210-30 210-31 210-32	1-7/8 1-15/16 2	50	90	51.6	28.6	19	32.6	3.18	2.41	96.5	10	M10X1.25	3/8-24	6.8	34.99	23.70	1.03
SER 211 211-32 211-33 211-34 211-35	2 2-1/16 2-1/8 2-3/16	55	100	55.6	30.2	22.2	33.4	3.18	2.41	106.5	10	M10X1.25	3/8-24	7.6	43.34	29.39	1.21
SER 212 212-36 212-37 212-38 212-39	2-1/4 2-5/16 2-3/8 2-7/16	60	110	65.1	31.8	25.4	39.7	3.18	2.41	116.6	10	M10X1.25	3/8-24	8.4	47.68	33.43	1.68