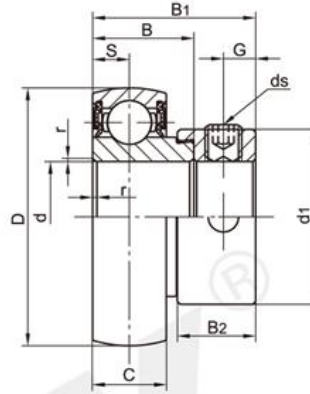


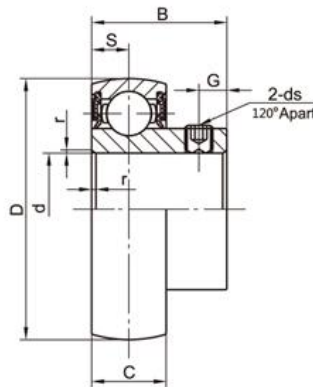
All Stainless Steel Silver Series **LDK**[®]

SK/SU Stainless steel, Setscrew/Eccentric locking



SU000 Series

Bearing No.	Shaft d(mm)	Dimensions(mm)										Basic Load Rating kgf		Weight (kg)
		D	B	C	S	B1	B2	d1	r	G	ds	Dynamic Cr	Static Cor	
SU 000	10	26	11	8	4	17.5	8.5	17	0.7	3.5	M4X0.7	4.60	1.96	0.03
SU 001	12	28	11	8	4	17.5	8.5	19	0.7	3.5	M4X0.7	5.09	2.4	0.03
SU 002	15	32	12	9	4.5	18.5	8.5	22	0.7	3.5	M4X0.7	5.58	2.84	0.04
SU 003	17	35	13.5	10	5	20.5	9.5	25	0.8	3.5	M4X0.7	5.97	3.28	0.06
SU 004	20	42	16.5	12	6	24.5	11	30	1.3	3.8	M5X0.8	9.35	5.04	0.1
SU 005	25	47	17.5	12	6	25.5	12	36	1.3	4	M5X0.8	10.09	5.83	0.12
SU 006	30	55	18.5	13	6.5	26.5	12	42	1.5	4	M5X0.8	13.23	8.28	0.17

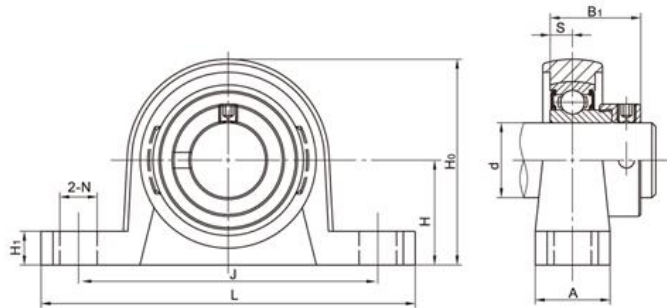


SK000 Series

Bearing No.	Shaft d(mm)	Dimensions(mm)								Basic Load Rating kgf		Weight (kg)
		D	B	C	S	r	G	ds	Dynamic Cr	Static Cor		
SK 000	10	26	14	8	4	0.7	3	M3x0.5	4.6	1.96	0.02	
SK 001	12	28	14.5	8	4	0.7	3	M3x0.5	5.09	2.4	0.03	
SK 002	15	32	16.5	9	4.5	0.7	3.5	M4X0.7	5.58	2.84	0.04	
SK 003	17	35	17.5	10	5	0.8	3.5	M4X0.7	5.97	3.28	0.05	
SK 004	20	42	21	12	6	1.3	4	M5X0.8	9.35	5.04	0.08	
SK 005	25	47	22.5	12	6	1.3	4.5	M5X0.8	10.09	5.83	0.10	
SK 006	30	55	24.5	13	6.5	1.5	5	M5X0.8	13.23	8.28	0.15	

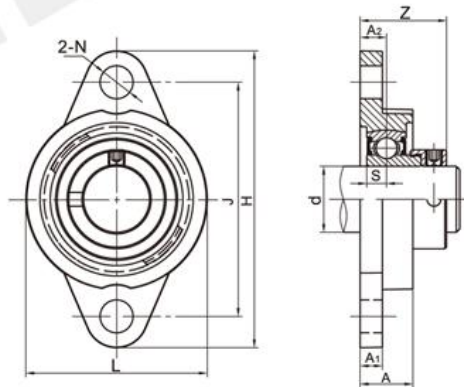
LDK[®] All Stainless Steel Silver Series

SSUP/SSUFL All stainless steel silver series, Pillow blocks/2-bolt flange, Eccentric locking



SSUP000 Series

Unit No.	Shaft d(mm)	Dimensions(mm)									Bolt Size (mm)	Bearing No.	Housing No.	Weight (kg)
		H	L	J	A	H1	H0	N	S	B1				
SSUP000	10	18	67	53	16	6	35	7	4	17.7	M6	SU000	SP000	0.1
SSUP001	12	19	71	56	16	6	38	7	4	17.7	M6	SU001	SP001	0.11
SSUP002	15	22	80	63	16	7	43	7	4.5	18.7	M6	SU002	SP002	0.15
SSUP003	17	24	85	67	18	7	47	7	5	20.7	M6	SU003	SP003	0.19
SSUP004	20	28	100	80	20	9	55	10	6	24.2	M8	SU004	SP004	0.29
SSUP005	25	32	112	90	20	10	62	10	6	25	M8	SU005	SP005	0.35
SSUP006	30	36	132	106	26	11	70	13	6.5	26	M10	SU006	SP006	0.54

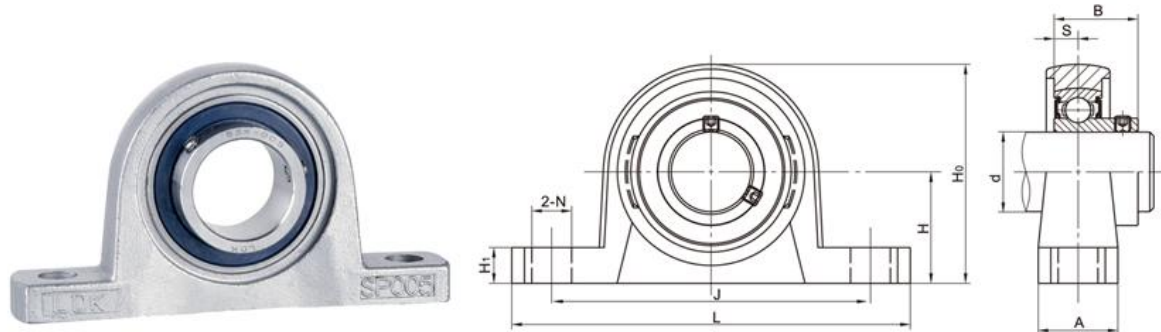


SSUFL000 Series

Unit No.	Shaft d(mm)	Dimensions(mm)									Bolt Size (mm)	Bearing No.	Housing No.	Weight (kg)
		H	J	A2	A1	A	N	L	S	Z				
SSUFL000	10	60	45	5.5	6	12	7	36	4	19.7	M6	SU000	SFL000	0.09
SSUFL001	12	63	48	5.5	6	12	7	38	4	19.7	M6	SU001	SFL001	0.09
SSUFL002	15	67	53	6.5	6.5	13	7	42	4.5	20.7	M6	SU002	SFL002	0.11
SSUFL003	17	71	56	7	7	14	7	46	5	22.7	M6	SU003	SFL003	0.14
SSUFL004	20	90	71	8	8	16	10	55	6	26.2	M8	SU004	SFL004	0.25
SSUFL005	25	95	75	8	8	16	10	60	6	27	M8	SU005	SFL005	0.28
SSUFL006	30	112	85	9	9	18	13	70	6.5	28.5	M10	SU006	SFL006	0.42

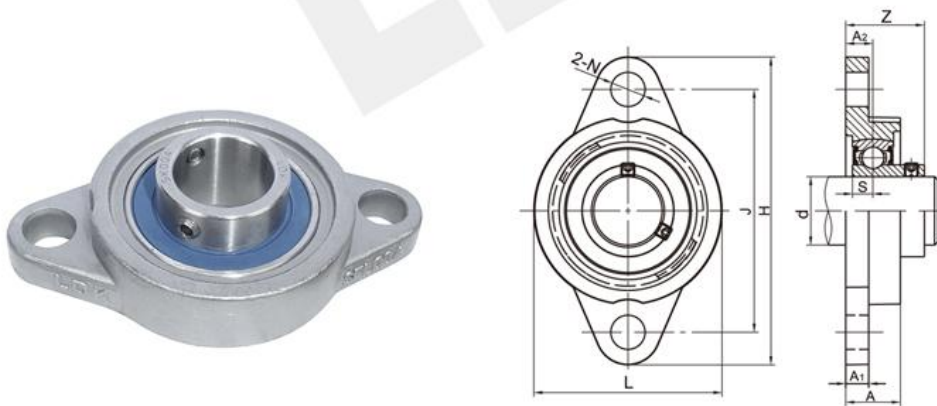
All Stainless Steel Silver Series **LDK**[®]

SSKP/SSKFL All stainless steel silver series, Pillow blocks/2-bolt flange, Setscrew locking



SSKP000 Series

Unit No.	Shaft d(mm)	Dimensions(mm)									Bolt Size (mm)	Bearing No.	Housing No.	Weight (kg)
		H	L	J	A	H ₁	H ₀	N	S	B				
SSKP000	10	18	67	53	16	6	35	7	4	14	M6	SK000	SP000	0.087
SSKP001	12	19	71	56	16	6	38	7	4	14.5	M6	SK001	SP001	0.11
SSKP002	15	22	80	63	16	7	43	7	4.5	16.5	M6	SK002	SP002	0.15
SSKP003	17	24	85	67	18	7	47	7	5	17.5	M6	SK003	SP003	0.18
SSKP004	20	28	100	80	20	9	55	10	6	21	M8	SK004	SP004	0.27
SSKP005	25	32	112	90	20	10	62	10	6	22.5	M8	SK005	SP005	0.33
SSKP006	30	36	132	106	26	11	70	13	6.5	24.5	M10	SK006	SP006	0.52



SSKFL000 Series

Unit No.	Shaft d(mm)	Dimensions(mm)									Bolt Size (mm)	Bearing No.	Housing No.	Weight (kg)
		H	J	A ₂	A ₁	A	N	L	S	Z				
SSKFL000	10	60	45	5.5	6	12	7	36	4	16	M6	SK000	SFL000	0.08
SSKFL001	12	63	48	5.5	6	12	7	38	4	16.5	M6	SK001	SFL001	0.09
SSKFL002	15	67	53	6.5	6.5	13	7	42	4.5	18.5	M6	SK002	SFL002	0.11
SSKFL003	17	71	56	7	7	14	7	46	5	19.5	M6	SK003	SFL003	0.14
SSKFL004	20	90	71	8	8	16	10	55	6	23	M8	SK004	SFL004	0.24
SSKFL005	25	95	75	8	8	16	10	60	6	24.5	M8	SK005	SFL005	0.27
SSKFL006	30	112	85	9	9	18	13	70	6.5	27	M10	SK006	SFL006	0.4