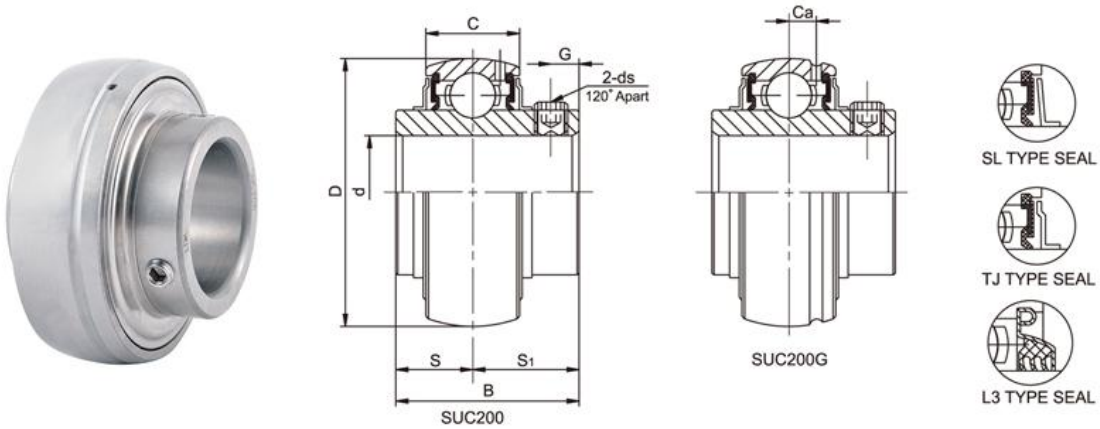


# Corrosion Resistant Bearing Inserts **LDK**<sup>®</sup>

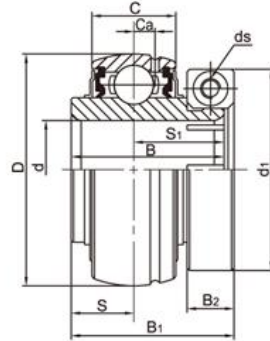
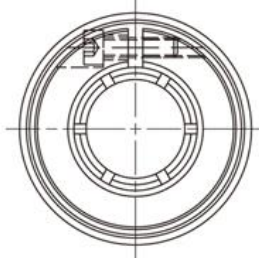
SUC Standard duty, Stainless steel, Wider inner ring, Setscrew locking, Factory-Lubed with food grade grease and with silicon rubber seal.



Bearing No.	Shaft Dia		Dimensions(mm)										Load rating (KN)		Weight (kg)
	d		D	B	C	S	S <sub>1</sub>	G	ds		Ca	Dynamic Cr	Static Cor		
	(in)	(mm)							(mm)	(in.UNF)					
SUC201 201-8	1/2	12	47	31	17	12.7	18.3	5	M6x1	1/4-28	4.3	9.55	4.78	0.21	
SUC202 202-9 202-10	9/16 5/8	15	47	31	17	12.7	18.3	5	M6x1	1/4-28	4.3	9.55	4.78	0.19	
SUC203 203-11	11/16	17	47	31	17	12.7	18.3	5	M6x1	1/4-28	4.3	9.55	4.78	0.18	
SUC204 204-12	3/4	20	47	31	17	12.7	18.3	5	M6x1	1/4-28	4.3	12.82	6.65	0.16	
SUC205 205-13 205-14 205-15 205-16	13/16 7/8 15/16 1	25	52	34.1	17	14.3	19.8	5.4	M6x1	1/4-28	4.2	14.03	8.05	0.18	
SUC206 206-17 206-18 206-19 206-20	1-1/16 1-1/8 1-3/16 1-1/4	30	62	38.1	19	15.9	22.2	5.5	M6x1	1/4-28	5.3	19.47	11.43	0.33	
SUC207 207-20 207-21 207-22 207-23	1-1/4 1-5/16 1-3/8 1-7/16	35	72	42.9	20	17.5	25.4	6.9	M8x1	5/16-24	5.8	25.69	15.55	0.49	
SUC208 208-24 208-25	1-1/2 1-9/16	40	80	49.2	21	19	30.2	8	M8x1	5/16-24	6.2	29.51	18.14	0.65	
SUC209 209-26 209-27 209-28	1-5/8 1-11/16 1-3/4	45	85	49.2	22	19	30.2	8	M8x1	5/16-24	6.5	31.85	20.80	0.71	
SUC210 210-30 210-31 210-32	1-7/8 1-15/16 2	50	90	51.6	24	19	32.6	10	M10x1.25	3/8-24	7	34.99	23.70	0.80	
SUC211 211-32 212-33 211-34 211-35	2 2-1/16 2-1/8 2-3/16	55	100	55.6	25	22.2	33.4	10	M10x1.25	3/8-24	7.4	43.34	29.39	1.08	
SUC212 212-36 212-37 212-38 212-39	2-1/4 2-5/16 2-3/8 2-7/16	60	110	65.1	27	25.4	39.7	10	M10x1.25	3/8-24	7.6	47.68	33.43	1.51	

# LDK<sup>®</sup> Corrosion Resistant Bearing Inserts

SUE Standard duty, Stainless steel, Wider inner ring, Concentric locking, Factory-Lubed with food grade grease and with silicon rubber seal.



SL TYPE SEAL

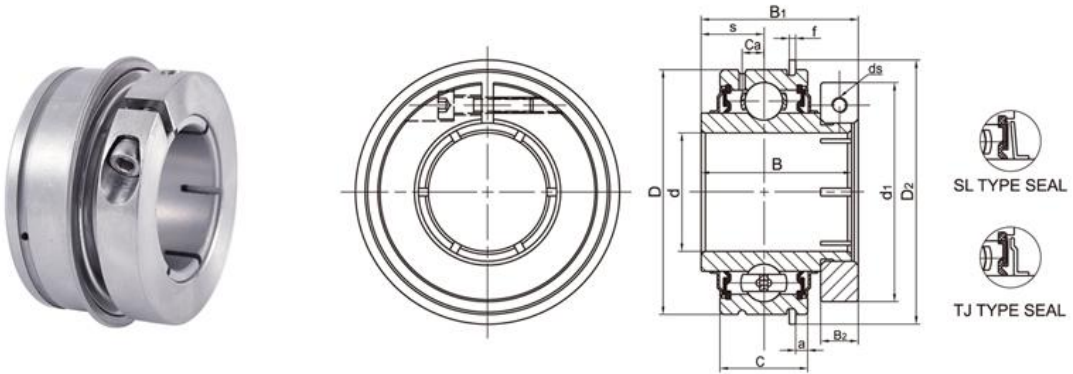


TJ TYPE SEAL

Bearing No.	Shaft Dia		Dimensions (mm)										Load rating (KN)		Weight (kg)
	d (in)	d (mm)	D	B	C	S	S1	B1	B2	d1	ds	Ca	Dynamic Cr	Static Cor	
SUE204 204-12	3/4	20	47	31	17	12.7	18.3	33.0	9.5	40.8	M4x0.7	4.3	12.88	6.65	0.18
SUE205 205-13 205-14 205-15 205-16	7/8 15/16 1	25	52	34.1	17	14.3	19.8	35.4	9.5	49.0	M4x0.7	4	14.03	8.05	0.21
SUE206 206-17 206-18 206-19 206-20	1-1/16 1-1/8 1-3/16 1-1/4	30	62	38.1	19	15.9	22.2	39.8	9.5	55.5	M4x0.7	5.3	19.47	11.43	0.33
SUE207 207-20 207-21 207-22 207-23	1-1/4 1-5/16 1-3/8 1-7/16	35	72	42.9	20	17.5	25.4	43.9	11.0	64.0	M5x0.8	5.8	25.69	15.55	0.51
SUE208 208-24 208-25	1-1/2 1-9/16	40	80	49.2	21	19.0	30.2	50.2	11.0	68.0	M5x0.8	6.2	29.51	18.14	0.68
SUE209 209-26 209-27 209-28	1-5/8 1-11/16 1-3/4	45	85	49.2	22	19.0	30.2	50.2	11.0	74.0	M5x0.8	6.5	31.85	20.80	0.78
SUE210 210-30 210-31 210-32	1-7/8 1-15/16 2	50	90	51.6	24	19.0	32.6	52.6	14.5	81.0	M6x1	7	34.99	23.70	0.85
SUE211 211-32 211-33 211-34 211-35	2 2-1/16 2-1/8 2-3/16	55	100	55.6	25	22.2	33.4	56.6	14.5	92.0	M6x1	7.4	43.34	29.39	1.16
SUE212 212-36 212-37 212-38 212-39	2-1/4 2-5/16 2-3/8 2-7/16	60	110	65.1	27	25.4	39.7	66.6	17.5	103.0	M8x1.25	7.6	47.68	33.43	1.59

# Corrosion Resistant Bearing Inserts **LDK**<sup>®</sup>

**SUER Standard duty, Stainless steel, With cylindrical outer ring and snap ring, Concentric locking, Factory-Lubed with food grade grease and with silicon rubber seal.**

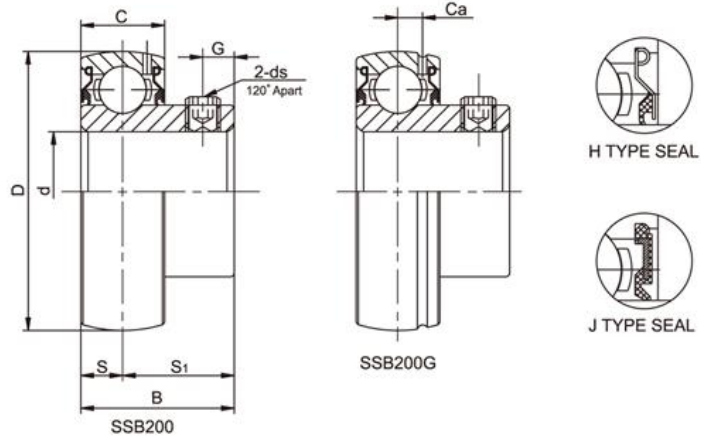


Bearing No.	Shaft Dia		Dimensions (mm)											Load rating (KN)		Weight kg	
	d		D	B	C	S	B1	B2	a	f	D <sub>2(max)</sub>	d1	ds	Ca	Dynamic		Static
	(in)	(mm)															
SUER204		20															
204-12	3/4		47	31	15.9	10.3	33	9.5	2.38	1.07	52.7	40.8	M4	4.05	12.82	6.65	0.22
SUER205		25															
205-13	13/16																
205-14	7/8		52	34.9	19	13.1	35.4	9.5	2.38	1.07	57.9	49	M4	5.5	14.03	8.05	0.28
205-15	15/16																
205-16	1																
SUER206		30															
206-17	1-1/16																
206-18	1-1/8		62	38.1	22.2	15.9	39.8	9.5	3.18	1.65	67.7	55.5	M4	5.5	19.47	11.43	0.38
206-19	1-3/16																
206-20	1-1/4																
SUER207		35															
207-20	1-1/4																
207-21	1-5/16		72	42.9	23.8	17.5	43.9	11	3.18	1.65	78.6	64	M5	6.3	25.69	15.55	0.56
207-22	1-3/8																
207-23	1-7/16																
SUER208		40															
208-24	1-1/2		80	49.2	27.8	19	50.2	11	3.18	1.65	86.6	68	M5	7.5	29.51	18.14	0.87
208-25	1-9/16																
SUER209		45															
209-26	1-5/8																
209-27	1-11/16		85	49.2	27.8	19	50.2	11	3.18	1.65	91.6	74	M5	7.5	31.85	20.80	0.95
209-28	1-3/4																
SUER210		50															
210-30	1-7/8		90	51.6	28.6	19	52.6	14.5	3.18	2.41	96.5	81	M6	6.8	34.99	23.70	1.03
210-31	1-15/16																
210-32	2																
SUER211		55															
211-32	2																
211-33	2-1/16		100	55.6	30.2	22.2	55.6	14.5	3.18	2.41	106.5	92	M6	7.6	43.34	29.39	1.21
211-34	2-1/8																
211-35	2-3/16																
SUER212		60															
212-36	2-1/4																
212-37	2-5/16		110	65.1	31.8	25.4	66.6	17.4	3.18	2.41	116.6	103	M8	8.4	47.68	33.43	1.68
212-38	2-3/8																
212-39	2-7/16																



# LDK<sup>®</sup> Corrosion Resistant Bearing Inserts

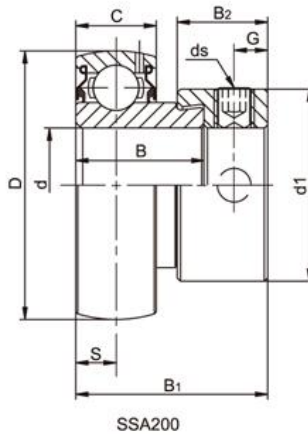
SSB Standard duty, Stainless steel, Narrow inner ring, Setscrew locking, Factory-Lubed with food grade grease and with silicon rubber seal.



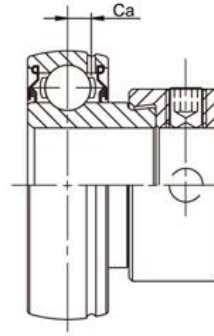
Bearing No.	Shaft Dia		Dimensions(mm)								Load rating (KN)		Weight (kg)	
	d		D	B	C	S	S <sub>1</sub>	G	ds		Ca	Dynamic Cr		Static Cor
	(in)	(mm)							(mm)	(in.UNF)				
SSB204 204-12	3/4	20	47	25	14	7	18	5	M6x1	1/4-28	4	12.82	6.65	0.12
SSB205 205-13 205-14 205-15 205-16	13/16 7/8 15/16 1	25	52	27	15	7.5	19.5	5.5	M6x1	1/4-28	4	14.03	8.05	0.18
SSB206 206-17 206-18 206-19 206-20	1-1/16 1-1/8 1-3/16 1-1/4	30	62	30	16	8	22	5.9	M6x1	1/4-28	4.9	19.47	11.43	0.26
SSB207 207-20 207-21 207-22 207-23	1-1/4 1-5/16 1-3/8 1-7/16	35	72	32	17	8.5	23.5	8	M8x1	5/16-24	5.4	25.69	15.55	0.43
SSB208 208-24 208-25	1-1/2 1-9/16	40	80	34	18	9	25	8	M8x1	5/16-24	5.8	29.51	18.14	0.60
SSB209 209-26 209-27 209-28	1-5/8 1-11/16 1-3/4	45	85	36	19	9.5	26.5	8	M8x1	5/16-24	6.1	31.85	20.80	0.8
SSB210 210-30 210-31 210-32	1-7/8 1-15/16 2	50	90	38	20	10	28	10	M10x1.25	3/8-24	6.5	34.99	23.70	0.83
SSB211 211-32 212-33 211-34 211-35	2 2-1/16 2-1/8 2-3/16	55	100	40	21	10.5	29.5	10	M10x1.25	3/8-24	7	43.34	29.39	1.12
SSB212 212-36 212-37 212-38 212-39	2-1/4 2-5/16 2-3/8 2-7/16	60	110	42	22	11	31	10	M10x1.25	3/8-24	7.3	47.68	33.43	1.55

# Corrosion Resistant Bearing Inserts **LDK**<sup>®</sup>

SSA Standard duty, Stainless steel, Narrow inner ring, Eccentric locking, Factory-Lubed with food grade grease and with silicon rubber seal.



SSA200



SSA200G



H TYPE SEAL

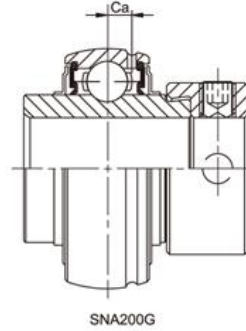
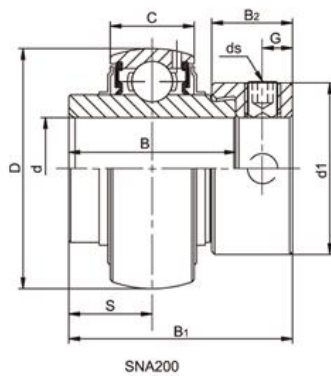


J TYPE SEAL

Bearing No.	Shaft Dia		Dimensions(mm)										Load rating (KN)		Weight (kg)	
	d		D	B	C	S	B1	B2	d1	G	ds		Ca	Dynamic Cr		Static Cor
	(in)	(mm)									(mm)	(in.UNF)				
SSA204 204-12	3/4	20	47	21.5	14	7	31	13.5	33.3	5	M6x1	1/4-28	4	12.82	6.65	0.21
SSA205 205-13 205-14 205-15 205-16	13/16 7/8 15/16 1	25	52	22	15	7.5	31.5	13.5	38.1	5	M6x1	1/4-28	4	14.03	8.05	0.25
SSA206 206-17 206-18 206-19 206-20	1-1/16 1-1/8 1-3/16 1-1/4	30	62	23.8	16	8	35.7	15.9	44.5	6	M6x1	1/4-28	4.9	19.47	11.43	0.39
SSA207 207-20 207-21 207-22 207-23	1-1/4 1-5/16 1-3/8 1-7/16	35	72	25.4	17	8.5	38.9	17.5	55.6	6.5	M8x1	5/16-24	5.4	25.69	15.55	0.6
SSA208 208-24 208-25	1-1/2 1-9/16	40	80	30.2	18	9	43.7	18.3	60.3	6.5	M8x1	5/16-24	5.8	29.51	18.14	0.77
SSA209 209-26 209-27 209-28	1-5/8 1-11/16 1-3/4	45	85	30.2	19	9.5	43.7	18.3	63.5	6.5	M8x1	5/16-24	6.1	31.85	20.80	0.84
SSA210 210-30 210-31 210-32	1-7/8 1-15/16 2	50	90	30.2	20	10	43.7	18.3	69.9	6.5	M8x1	5/16-24	6.5	34.99	23.70	1.02
SSA211 211-32 211-33 211-34 211-35	2 2-1/16 2-1/8 2-3/16	55	100	32.5	21	10.5	48.4	20.7	76.2	8	M10x1.25	3/8-24	7	43.34	29.39	1.37
SSA212 212-36 212-37 212-38 212-39	2-1/4 2-5/16 2-3/8 2-7/16	60	110	37.2	22	11	53.1	22.3	84.2	8	M10x1.25	3/8-24	7.3	47.68	33.43	1.85

# LDK<sup>®</sup> Corrosion Resistant Bearing Inserts

SNA Standard duty, Stainless steel, Wider inner ring, Eccentric locking, Factory-Lubed with food grade grease and with silicon rubber seal.



SL TYPE SEAL



TJ TYPE SEAL



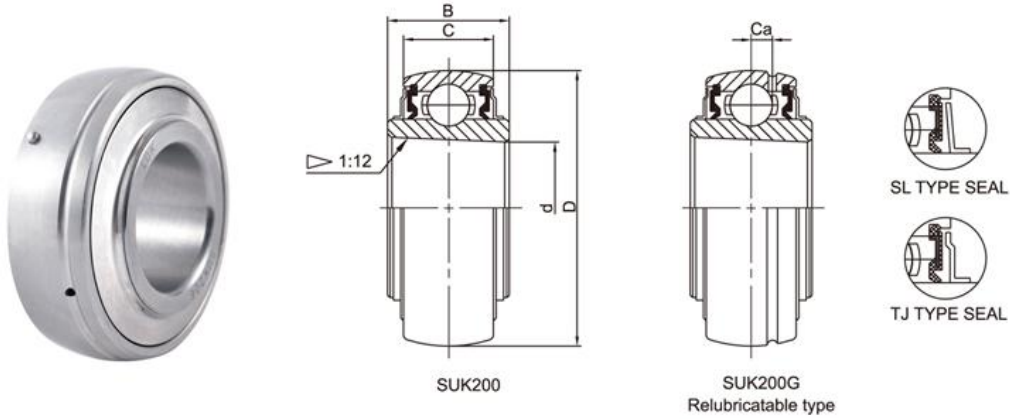
L3 TYPE SEAL

Bearing No.	Shaft Dia		Dimensions(mm)										Load rating (KN)		Weight (kg)	
	d		D	B	C	S	B <sub>1</sub>	B <sub>2</sub>	d <sub>1</sub>	G	ds		Ca	Dynamic Cr		Static Cor
	(in)	(mm)									(mm)	(in,UNF)				
SNA204 204-12	3/4	20	47	34.2	17	17.1	43.7	13.5	33.3	5	M6x1	1/4-28	4.3	12.82	6.65	0.21
SNA205 205-13 205-14 205-15 205-16	13/16 7/8 15/16 1	25	52	34.9	17	17.5	44.4	13.5	38.1	5	M6x1	1/4-28	4.2	14.03	8.05	0.25
SNA206 206-17 206-18 206-19 206-20	1-1/16 1-1/8 1-3/16 1-1/4	30	62	36.5	19	18.3	48.4	15.9	44.5	6	M6x1	1/4-28	5.3	19.47	11.43	0.39
SNA207 207-20 207-21 207-22 207-23	1-1/4 1-5/16 1-3/8 1-7/16	35	72	37.6	20	18.8	51.1	17.5	55.6	6.5	M8x1	5/16-24	5.8	25.69	15.55	0.6
SNA208 208-24 208-25	1-1/2 1-9/16	40	80	42.8	21	21.4	56.3	18.3	60.3	6.5	M8x1	5/16-24	6.2	29.51	18.14	0.77
SNA209 209-26 209-27 209-28	1-5/8 1-11/16 1-3/4	45	85	42.8	22	21.4	56.3	18.3	63.5	6.5	M8x1	5/16-24	6.5	31.85	20.80	0.84
SNA210 210-30 210-31 210-32	1-7/8 1-15/16 2	50	90	49.2	24	24.6	62.7	18.3	69.9	6.5	M8x1	5/16-24	7	34.99	23.70	1.02
SNA211 211-32 211-33 211-34 211-35	2 2-1/16 2-1/8 2-3/16	55	100	55.5	25	27.8	71.4	20.7	76.2	8	M10x1.25	3/8-24	7.4	43.34	29.39	1.37
SNA212 212-36 212-37 212-38 212-39	2-1/4 2-5/16 2-3/8 2-7/16	60	110	61.9	27	31	77.8	22.3	84.2	8	M10x1.25	3/8-24	7.6	47.68	33.43	1.85



# Corrosion Resistant Bearing Inserts **LDK**<sup>®</sup>

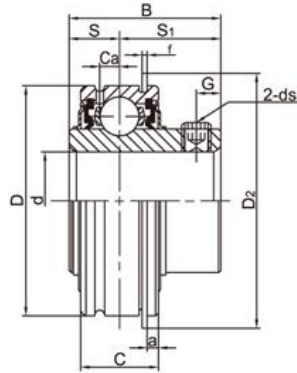
SUK Standard duty, Stainless steel, Taperd bore, Adapter sleeve locking, Factory-Lubed with food grade grease and with silicon rubber seal.



Bearing No.	Dimensions(mm)						Basic Load Rating (KN)		Weight (kg)
	d1	d	D	B	C	Ca	Dynamic Cr	Static Cor	
SUK205	20	25	52	23	17	4.5	14.0	7.8	0.21
SUK206	25	30	62	26	19	5.1	19.5	11.2	0.31
SUK207	30	35	72	27	20	5.8	25.7	15.2	0.46
SUK208	35	40	80	29	21	6.2	29.6	18.2	0.63
SUK209	40	45	85	30	22	6.5	31.8	20.8	0.68
SUK210	45	50	90	31	24	7	35.1	23.2	0.78
SUK211	50	55	100	36	26	7.3	43.5	29.2	1.07
SUK212	55	60	110	38	27	7.7	52.5	32.8	1.51

# LDK<sup>®</sup> Corrosion Resistant Bearing Inserts

SSER Standard duty, Stainless steel, With cylindrical outer ring and snap ring, Setscrew locking, Factory-Lubed with food grade grease and with silicon rubber seal.



SL TYPE SEAL



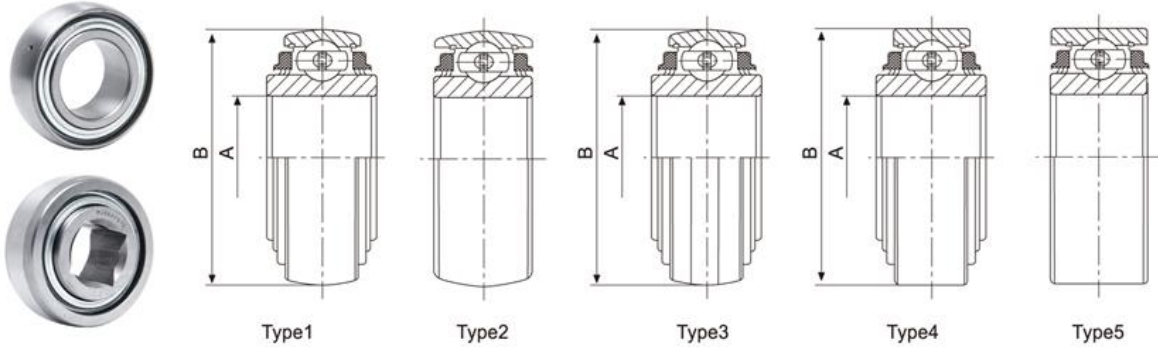
TJ TYPE SEAL

Bearing No.	Shaft Dia		Dimensions (mm)											Basic Load Rating KN		Weight (kg)	
	d		D	B	C	S	S <sub>1</sub>	a	r	D <sub>2</sub> (Max.)	G	ds		Ca	Dynamic Cr		Static Cor
	(in)	(mm)										(mm)	(in.UNF)				
SSER 201 201-8	1/2	12	47	31	15.9	11.5	19.5	2.46	1.07	52.7	5	M6X0.75	1/4-28	3.95	12.8	6.6	0.27
SSER 202 202-9 202-10	9/16 5/8	15	47	31	15.9	11.5	19.5	2.46	1.07	52.7	5	M6X0.75	1/4-28	3.95	12.8	6.6	0.25
SSER 203 203-11	11/16	17	47	31	15.9	11.5	19.5	2.46	1.07	52.7	5	M6X0.75	1/4-28	3.95	12.8	6.6	0.23
SSER 204 204-12	3/4	20	47	31	15.9	11.5	19.5	2.46	1.07	52.7	5	M6X0.75	1/4-28	3.95	12.8	6.6	0.22
SSER 205 205-13 205-14 205-15 205-16	13/16 7/8 15/16 1	25	52	34.9	19.1	13.1	21.8	2.46	1.07	57.9	5	M6X0.75	1/4-28	4.35	14.0	7.8	0.28
SSER 206 206-17 206-18 206-19 206-20	1-1/16 1-1/8 1-3/16 1-1/4	30	62	38.1	22.2	15.9	22.2	3.18	1.65	67.7	5	M6X0.75	1/4-28	5.5	19.5	11.2	0.38
SSER 207 207-20 207-21 207-22 207-23	1-1/4 1-5/16 1-3/8 1-7/16	35	72	42.9	23.8	17.5	25.4	3.18	1.65	78.6	6.5	M8X1	5/16-24	6.3	25.7	15.2	0.56
SSER 208 208-24 208-25	1-1/2 1-9/16	40	80	49.2	27.8	19	30.2	3.18	1.65	86.6	8	M8X1	5/16-24	7.5	29.6	18.2	0.87
SSER 209 209-26 209-27 209-28	1-5/8 1-11/16 1-3/4	45	85	49.2	27.8	19	30.2	3.18	1.65	91.6	8	M8X1	5/16-24	7.5	31.8	20.8	0.95
SSER 210 210-30 210-31 210-32	1-7/8 1-15/16 2	50	90	51.6	28.6	19	32.6	3.18	2.41	96.5	10	M10X1.25	3/8-24	6.8	35.1	23.2	1.03
SSER 211 211-32 211-33 211-34 211-35	2 2-1/16 2-1/8 2-3/16	55	100	55.6	30.2	22.2	33.4	3.18	2.41	106.5	10	M10X1.25	3/8-24	7.6	43.5	29.2	1.21
SSER 212 212-36 212-37 212-38 212-39	2-1/4 2-5/16 2-3/8 2-7/16	60	110	65.1	31.8	25.4	39.7	3.18	2.41	116.6	10.5	M10X1.25	3/8-24	8.4	52.5	32.8	1.68



# Agricultural/Farm Implement Bearings **LDK**<sup>®</sup>

Triple lip seal, Farm implement bearings, Non-relubricatable type



## ROUND BORE

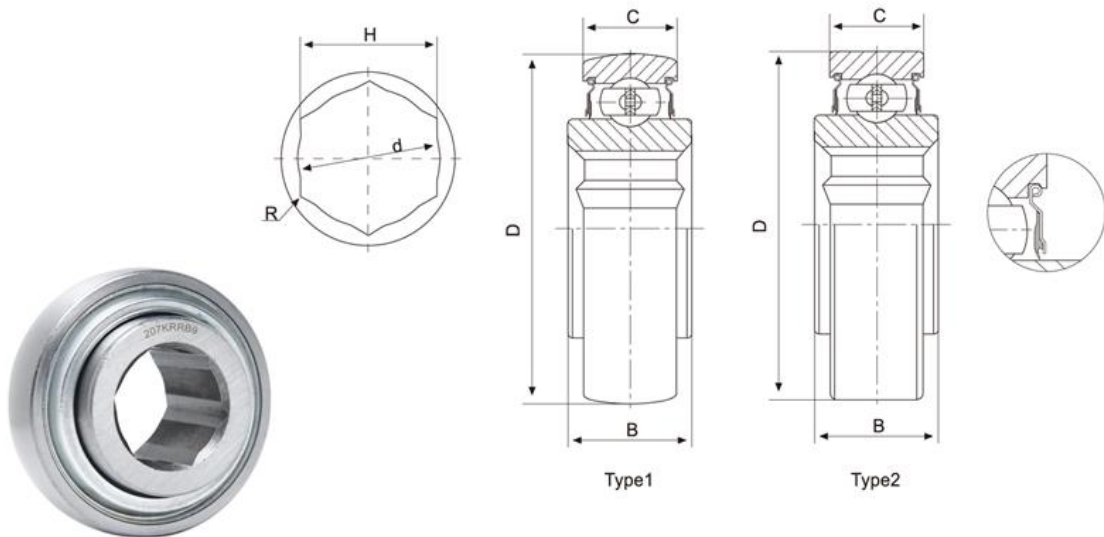
Bearing No.	Type	Bearing Bore Size		Outside Dia.		Ring Width			
		A		B		Inner Ring		Outer Ring	
		(in.)	(mm)	(in.)	(mm)	(in.)	(mm)	(in.)	(mm)
205PPB7	1	0.9375	23.813	2.0472	52	1.3748	34.92	0.591	15
W208PPB7	1	1.1880	30.175	3.1496	80	1.189	30.2	0.709	18
W208PP10	4	1.5005	38.113	3.1496	80	1.691	42.96	0.827	21
W208PPB23	1	1.5005	38.113	3.1496	80	1.691	42.96	1.189	30.2
W209PPB2	2	1.7717	45	3.3460	85	1.189	30.2	1.189	30.2
W209PPB4	2	1.5350	39	3.3460	85	1.189	30.2	1.189	30.2
W210PP2	5	1.9380	49.225	3.5433	90	1.189	30.2	1.189	30.2
W210PPB2	2	1.9380	49.225	3.5433	90	1.189	30.2	1.189	30.2
W211PP2	5	2.1880	55.575	3.9370	100	1.313	33.34	1.313	33.34
W211PPB2	2	2.1880	55.575	3.9370	100	1.313	33.34	1.313	33.34

## SQUARE BORE

Bearing No.	Type	Square Shaft Size (in.)	Square Bore Size (mm)	Outside Dia.		Ring Width			
				B		Inner Ring		Outer Ring	
				(in.)	(mm)	(in.)	(mm)	(in.)	(mm)
W208PPB13	1	7/8	23.117	3.1496	80	1.437	36.5	0.709	18
W208PPB6	1	1	26.162	3.1496	80	1.437	36.5	0.709	18
W208PP5	4	1-1/8	29.972	3.1496	80	1.437	36.5	0.709	18
W208PPB5	1	1-1/8	29.972	3.1496	80	1.437	36.5	0.709	18
W208PP8	4	1-1/8	29.972	3.1496	80	1.437	36.5	1.189	30.2
W208PPB8	1	1-1/8	29.972	3.1496	80	1.437	36.5	1.189	30.2
W208PPB11	3	7/8	23.117	3.3760	85.75	1.437	36.5	1.189	30.2
W208PPB12	3	1-1/8	29.972	3.3760	85.75	1.437	36.5	1.189	30.2
W209PPB5	1	1-1/4	32.766	3.3460	85	1.437	36.5	1.189	30.2
W210PP4	5	1-1/8	29.972	3.5433	90	1.189	30.2	1.189	30.2
W210PPB4	2	1-1/8	29.972	3.5433	90	1.189	30.2	1.189	30.2
W211PP3	5	1-1/2	38.89	3.9370	100	1.313	33.34	1.313	33.34
W211PPB3	2	1-1/2	38.89	3.9370	100	1.313	33.34	1.313	33.34
W211PP5	4	1-1/2	38.89	4.0000	101.6	1.750	44.45	1.438	36.52
W211PPB6	3	1-1/2	38.89	4.0772	103.56	1.750	44.45	1.438	36.52

# LDK<sup>®</sup> Agricultural/Farm Implement Bearings

Farm implement bearings, Relubricatable type

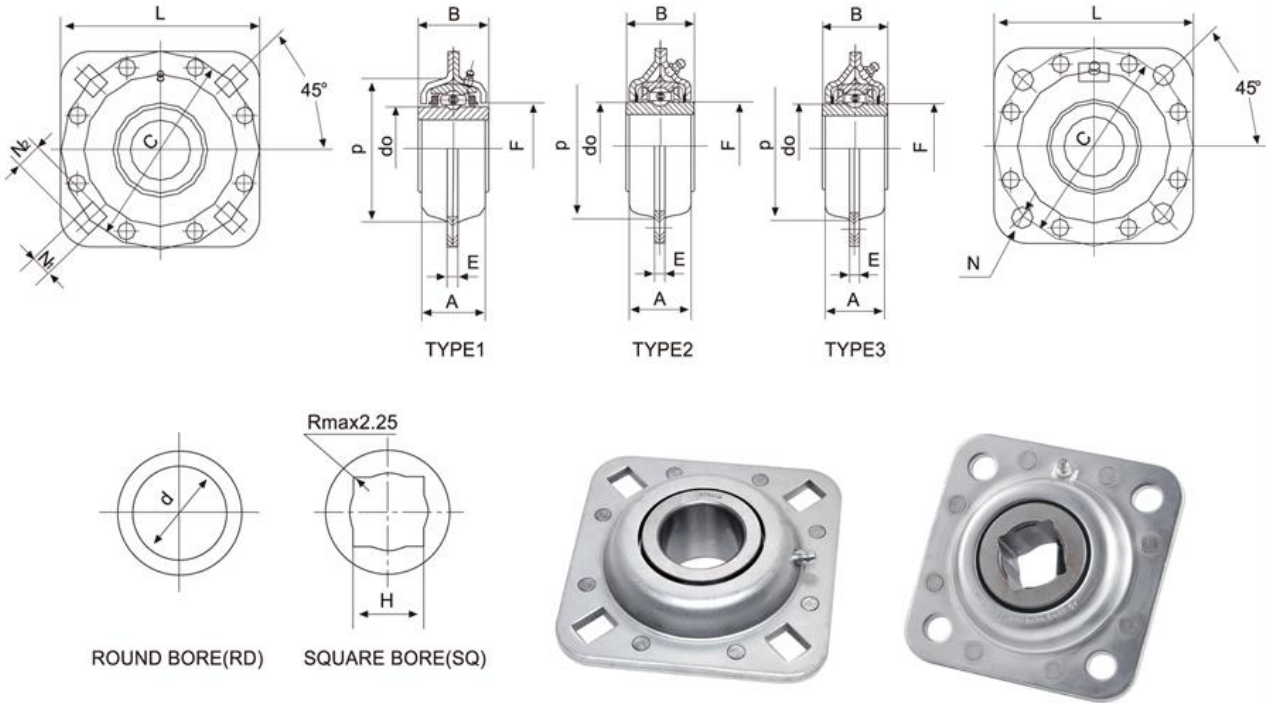


## HEX BORE

Bearing No.	Type	Dimensions (mm)/(in.)						Basic load ratings (N)		Mass (kg)
		H	d	R	D	B	C	Dynamic Cr	Static Cor	
205NPPB AH02	1	22.25 0.8760	22.7 0.8937	0.2 0.0079	52 2.0472	25.4 1.0000	15 0.5906	14000	7880	0.20
206NPPB AH02	1	22.25 0.8760	22.7 0.8937	0.2 0.0079	62 2.4409	24 0.9449	18 0.7087	19500	11200	0.37
206NPPB AH04	1	25.43 1.0012	26 1.0236	0.2 0.0079	62 2.4409	24 0.9449	18 0.7087	19500	11200	0.35
207NPPB AH09	1	28.6 1.1260	29.4 1.1575	0.2 0.0079	72 2.8346	37.7 1.4843	17 0.6693	25700	15200	0.48
207KPP3	2	31.77 1.2508	32.5 1.2795	0.2 0.0079	72 2.8346	37.7 1.4843	17 0.6693	25700	15200	0.45
207KPP17	2	28.6 1.1260	29.4 1.1575	0.2 0.0079	72 2.8346	25 0.9843	17 0.6693	25700	15200	0.42
207KPPB3	1	31.77 1.2508	32.5 1.2795	0.2 0.0079	72 2.8346	25 0.9843	17 0.6693	25700	15200	0.40

# Agricultural/Farm Implement Bearings **LDK**<sup>®</sup>

## 209/211/491 Disk Harrow Units



### 209 Series

Bearing No.	Type	Bearing Bore Size (mm)		Dimensions (mm)									Basic load ratings (N)																				
		H (SQ)	d (RD)	L	P	B	A	F	do	E	C	N(N1XN2)	Dynamic Cr	Static Cor																			
ST491A	1	--	45	127	98	42.8	42	60	57.547	7	127	Ø13.5	31850	17500																			
ST491A-I	2	--					37																										
ST491A-II	3	--					42																										
DHU45R-209	1	--	38.86				127								98	42.8	42	60	57.547	7	127	13.5X16.7	31850	17500									
ST491B	1	--															37					Ø13.5											
ST491B-I	2	--															42					13.5X16.7											
ST491B-II	3	--	37																														
ST209-1 1/8	1	--	29.927														127					98			42.8	42	60	57.547	7	127	13.5X16.7	31850	17500
ST209-1 1/8-I	2	--																								37							
ST209-1 1/8-II	3	--		42																													

### 211 Series

Bearing No.	Type	Bearing Bore Size (mm)		Dimensions (mm)									Basic load ratings (N)											
		H (SQ)	d (RD)	L	P	B	A	F	do	E	C	N(N1XN2)	Dynamic Cr	Static Cor										
DHU55R-211	1	--	55	139.7	113.5	55.5	51	46.4	73	69	9	139.7	Ø13.5	43550	25000									
DHU55R-211-I	2	--					42	71	8															
ST211-1 3/4	1	--	45.212				139.7	113.5	55.5		46.4					73	69	9	139.7	Ø13.5	43550	25000		
ST211-2 3/16	1	--	55.575								42					71		8						
ST211-2 3/16-I	2	--									51					46.4		73					9	13.5X15.1
DHU40S-211	1	40.878	--																				42	
FD211-1 1/2	2	38.89	--	42	71	8																		